



# MASON INDUSTRIES, Inc.

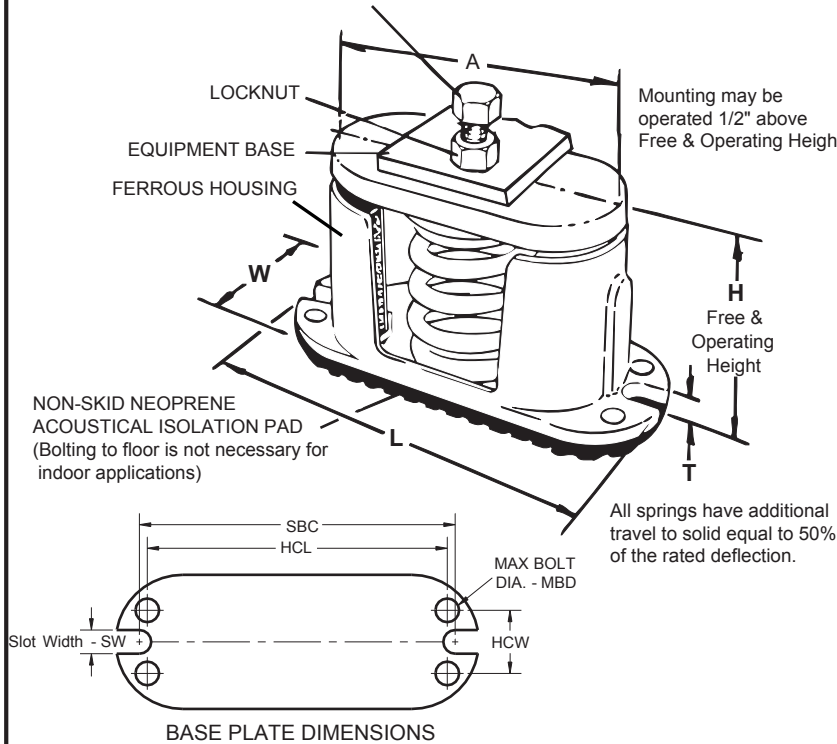
Manufacturers of Vibration Control Products  
 350 Rabro Drive 2101 W. Crescent Ave., Suite D  
 Hauppauge, NY 11788 Anaheim, CA 92801  
 631/348-0282 714/535-2727  
 FAX 631/348-0279 FAX 714/535-5738  
 Info@Mason-Ind.com Info@MasonAnaheim.com  
 www.Mason-Ind.com

JOB NAME \_\_\_\_\_  
 CUSTOMER \_\_\_\_\_  
 CUSTOMER P.O. \_\_\_\_\_  
 MASON M.I. \_\_\_\_\_  
 DWG. NO. \_\_\_\_\_

**C**  
 1" Deflection  
 A, B, C, D & E  
 Series Mounts

Illustration shows single spring C-A, C-B or C-C mount.  
 C-D & C-E mounts have 2 & 4 springs each respectively.

TOP ACCESS ADJUSTMENT BOLT - Turn clockwise to load spring and maintain Free & Operating Height. Bolt length is suitable for 1" maximum Equipment Base thickness.



### TYPE C RATINGS

Size	Rated Capacity (lbs)	Rated Defl. (in)	Spring Constant (lbs/in)	Spring Color/Stripe
C-A-45	45	1.60	28	Blue
C-A-75	75	1.50	50	Orange
C-A-125	125	1.33	94	Brown
C-A-200	200	1.15	174	Black
C-A-310	310	1.00	310	Yellow
C-A-400	400	1.00	400	Green
C-A-510	510	1.00	510	Red
C-A-625	625	1.00	625	White
C-B-65	65	2.10	31	Brown
C-B-85	85	2.10	40	White/Black
C-B-115	115	2.00	57	Silver
C-B-150	150	2.00	75	Orange
C-B-280	280	1.60	174	Green
C-B-450	450	1.31	344	Red
C-B-750	750	1.12	670	White
C-B-1000	1000	1.00	1000	Blue
C-B-1250	1250	1.00	1250	Gray
C-B-1650	1650	1.00	1650	Black
C-C-1000	1000	1.00	1000	Black
C-C-1350	1350	1.00	1350	Yellow
C-C-1750	1750	1.00	1750	Black*
C-C-2100	2100	1.00	2100	Yellow*
C-C-2385	2385	1.00	2385	Yellow**
C-C-2650	2650	1.00	2650	Red*
C-C-2935	2935	1.00	2935	Red**
C-D-3500	3500	1.00	3500	Black*
C-D-4200	4200	1.00	4200	Yellow*
C-D-4770	4770	1.00	4770	Yellow**
C-D-5300	5300	1.00	5300	Red*
C-D-5870	5870	1.00	5870	Red**
C-E-7000	7000	1.00	7000	Black*
C-E-8400	8400	1.00	8400	Yellow*
C-E-9540	9540	1.00	9540	Yellow**
C-E-10600	10600	1.00	10600	Red*
C-E-11740	11740	1.00	11740	Red**

### TYPE C DIMENSIONS (inches) (Casting Dimensions may vary ± 1/8")

Size	A	L	T	W	SW	HCL	HCW	MBD	SBC	Adjustm. Bolt	Free & Oper. Height
C-A	4	5 3/4	1/2	2 1/8	5/16	4 3/4	1	1/4	5	3/8 x 4	4 1/2
C-B	5 3/4	8 1/4	1/2	2 3/4	7/16	6 1/2	1 1/2	3/8	7 1/4	1/2 x 4	5 5/8
C-C	6 5/8	8 7/8	9/16	3 1/2	7/16	7 1/4	1 3/4	3/8	7 7/8	5/8 x 4 1/2	5 5/8
C-D	9 3/4	12	9/16	3 1/2	7/16	10 3/8	1 3/4	3/8	11	5/8 x 4 1/2	6 1/8
C-E	12 1/8	12 3/4	5/8	6 5/8	-	11 3/8	5 1/8	1/2	-	3/4 x 5	6 1/8

\*with RED core Spring \*\*with GREEN core Spring

### CERTIFICATION DATA

TAG : \_\_\_\_\_  
 UNIT : \_\_\_\_\_  
 PLAN VIEW OF MOUNT LOCATION:



### SPECIFIED DEFLECTION

1 :	6 :
2 :	7 :
3 :	8 :
4 :	9 :
5 :	10 :
Sets Required:	



# MASON INDUSTRIES, Inc.

Manufacturers of Vibration Control Products

350 Rabro Drive 2101 W. Crescent Ave., Suite D  
 Hauppauge, NY 11788 Anaheim, CA 92801  
 631/348-0282 714/535-2727  
 FAX 631/348-0279 FAX 714/535-5738  
 Info@Mason-Ind.com Info@MasonAnaheim.com  
 www.Mason-Ind.com

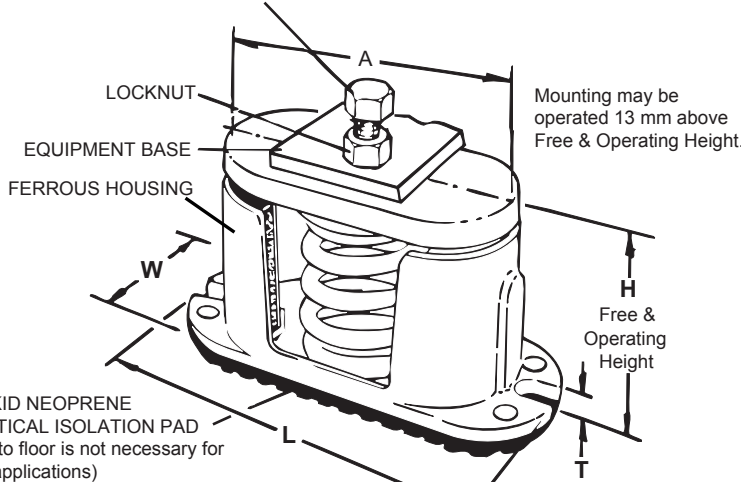
JOB NAME \_\_\_\_\_  
 CUSTOMER \_\_\_\_\_  
 CUSTOMER P.O. \_\_\_\_\_  
 MASON M.I. \_\_\_\_\_  
 DWG. NO. \_\_\_\_\_

# C

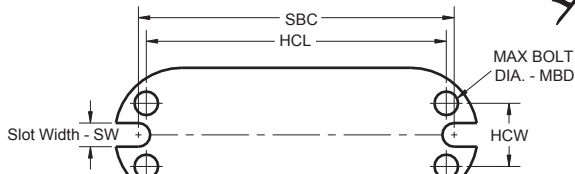
25mm Deflection  
 A, B, C, D & E  
 Series Mounts

Illustration shows single spring C-A, C-B or C-C mount.  
 C-D & C-E mounts have 2 & 4 springs each respectively.

TOP ACCESS ADJUSTMENT BOLT - Turn clockwise to load spring and maintain Free & Operating Height. Bolt length is suitable for 25 mm maximum Equipment Base thickness.



NON-SKID NEOPRENE ACOUSTICAL ISOLATION PAD (Bolting to floor is not necessary for indoor applications)



BASE PLATE DIMENSIONS

All springs have additional travel to solid equal to 50% of the rated deflection.

### TYPE C RATINGS

Size	Rated Capacity (Kg)	Rated Defl. (mm)	Spring Constant (Kg/mm)	Spring Color/Stripe
C-A-45	20	41	0.49	Blue
C-A-75	34	38	0.89	Orange
C-A-125	57	34	1.68	Brown
C-A-200	91	29	3.14	Black
C-A-310	141	25	5.64	Yellow
C-A-400	182	25	7.28	Green
C-A-510	231	25	9.24	Red
C-A-625	284	25	11.36	White
C-B-65	29	53	0.55	Brown
C-B-85	37	53	0.70	White/Black
C-B-115	52	51	1.02	Silver
C-B-150	68	51	1.33	Orange
C-B-280	127	51	3.10	Green
C-B-450	204	41	6.18	Red
C-B-750	341	33	12.18	White
C-B-1000	454	25	18.16	Blue
C-B-1250	568	25	22.72	Gray
C-B-1650	750	25	30.00	Black
C-C-1000	454	25	18.16	Black
C-C-1350	614	25	24.56	Yellow
C-C-1750	795	25	31.80	Black*
C-C-2100	954	25	84.00	Yellow*
C-C-2385	1084	25	95.40	Yellow**
C-C-2650	1204	25	48.16	Red*
C-C-2935	1334	25	53.36	Red**
C-D-3500	1591	25	63.64	Black*
C-D-4200	1909	25	76.36	Yellow*
C-D-4770	2168	25	86.72	Yellow**
C-D-5300	2409	25	96.36	Red*
C-D-5870	2668	25	106.72	Red**
C-E-7000	3182	25	127.28	Black*
C-E-8400	3818	25	152.72	Yellow*
C-E-9540	4336	25	173.44	Yellow**
C-E-10600	4818	25	192.72	Red*
C-E-11740	5336	25	213.44	Red**

\*with RED core Spring \*\*with GREEN core Spring

### TYPE C DIMENSIONS (mm) (Casting Dimensions may vary ±3mm)

Size	A	L	T	W	SW	HCL	HCW	MBD	SBC	Adjustment Bolt (in)	Free & Oper. Height
C-A	102	146	13	54	8	121	25	6	127	3/8x4	114
C-B	146	209	13	70	11	165	38	9	184	1/2x4	143
C-C	168	225	14	89	11	184	44	9	200	5/8x4 1/2	143
C-D	248	305	14	89	11	263	44	9	279	5/8x4 1/2	155
C-E	308	324	16	168	-	289	130	13	-	3/4x5	155

### CERTIFICATION DATA

TAG : \_\_\_\_\_

UNIT : \_\_\_\_\_

PLAN VIEW OF MOUNT LOCATION:



### SPECIFIED DEFLECTION

1 :	6 :
2 :	7 :
3 :	8 :
4 :	9 :
5 :	10 :
Sets Required:	



# MASON INDUSTRIES, Inc.

Manufacturers of Vibration Control Products

350 Rabro Drive 2101 W. Crescent Ave., Suite D  
 Hauppauge, NY 11788 Anaheim, CA 92801  
 631/348-0282 714/535-2727  
 FAX 631/348-0279 FAX 714/535-5738  
 Info@Mason-Ind.com Info@MasonAnaheim.com  
 www.Mason-Ind.com

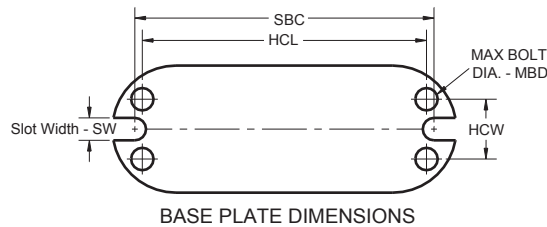
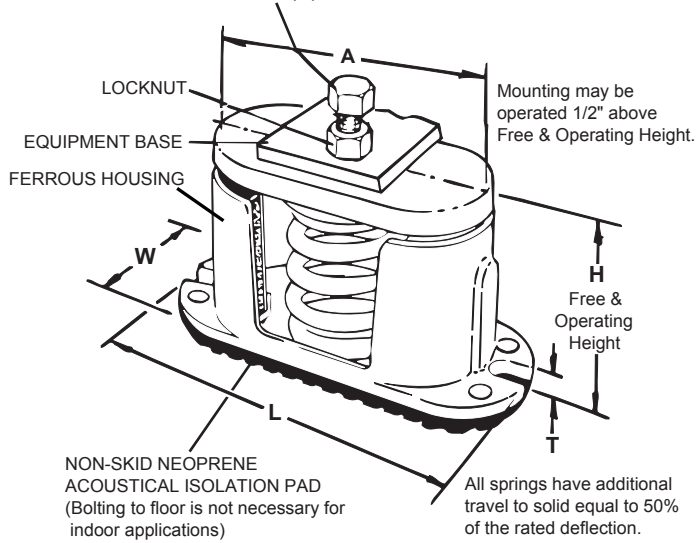
JOB NAME \_\_\_\_\_  
 CUSTOMER \_\_\_\_\_  
 CUSTOMER P.O. \_\_\_\_\_  
 MASON M.I. \_\_\_\_\_  
 DWG. NO. \_\_\_\_\_

# C

2" Deflection  
 B, B2, C2, D-C2 &  
 E-C2 Series  
 Mounts

Illustration shows single spring C-B, C-B2 or C-C2  
 C-D-C2 or C-E-C2 mounts have 2 & 4 springs respectively.

TOP ACCESS ADJUSTMENT BOLT - Turn clockwise to load spring and maintain Free & Operating Height. Bolt length is suitable for 1" maximum Equipment Base thickness.



## TYPE C RATINGS

Size	Rated Capacity (lbs)	Rated Defl. (in)	Spring Constant (lbs/in)	Spring Color/Stripe	Rated at 50% additional travel to solid	
					Capacity (lbs)	Defl. (lbs)
C-B-20	20	2.40	8	Tan	20	2.40
C-B-26	26	2.18	12	White/Black	26	2.18
C-B-35	35	2.20	16	Purple	35	2.20
C-B-50	50	2.20	24	White/Red	50	2.20
C-B-65	65	2.10	31	Brown	65	2.10
C-B-85	85	2.10	40	White/Black	85	2.10
C-B-115	115	2.00	57	Silver	115	2.00
C-B-150	150	2.00	75	Orange	150	2.00
C-B2-210	210	2.12	99	Silver	210	2.12
C-B2-290	290	2.00	144	Blue	290	2.00
C-B2-450	450	2.00	324	Tan	410	1.83
C-B2-680	680	2.00	340	Gray	565	1.66
C-C2-125	125	2.50	50	Purple	125	2.50
C-C2-170	170	2.40	70	Brown	170	2.40
C-C2-210	210	2.30	90	Red	210	2.30
C-C2-260	260	2.20	120	White	260	2.20
C-C2-330	330	2.00	165	Black	330	2.00
C-C2-460	460	2.00	230	Blue	460	2.00
C-C2-610	610	2.00	305	Green	610	2.00
C-C2-880	880	2.00	440	Gray	800	1.82
C-C2-1210	1210	2.00	605	Silver	1010	1.67
C-C2-1540	1540	2.00	770	Gray*	1285	1.67
C-C2-1870	1870	2.00	935	Silver*	1560	1.67
C-D-C2-2420	2420	2.00	1210	Silver	2020	1.67
C-D-C2-3080	3080	2.00	1540	Gray*	2570	1.67
C-D-C2-3740	3740	2.00	1870	Silver*	3120	1.67
C-E-C2-3520	3520	2.00	1260	Gray	3200	1.82
C-E-C2-4840	4840	2.00	2420	Silver	4040	1.67
C-E-C2-6160	6160	2.00	3080	Gray*	5145	1.67
C-E-C2-7480	7480	2.00	3740	Silver*	6245	1.67

\*with RED core Spring

C-B2-450, B2-680, C2-880 thru C2-1870, D-C2 & E-C2 mounts have minimum 25% of rated deflection additional travel to solid. The last two columns below show ratings at 50% additional travel.

## TYPE C DIMENSIONS (inches)

(Casting Dimensions may vary ± 1/8")

Size	A	L	T	W	SW	HCL	HCW	MBD	SBC	Adjustment Bolt	Free Height	Min. Height
C-B & B2	5 3/4	8 1/4	1/2	2 3/4	7/16	6 1/2	1 1/2	3/8	7 1/4	1/2 x 4	5 3/4	5 1/4
C-C2	6 5/8	8 7/8	9/16	3 1/2	7/16	7 1/4	1 3/4	3/8	7 7/8	5/8 x 4 1/2	6 1/2	5 1/2
C-D-C2	9 3/4	12	9/16	3 1/2	7/16	10 3/8	1 3/4	3/8	11	5/8 x 4 1/2	6 7/8	6
C-E-C2	12 1/8	12 3/4	5/8	6 5/8	-	11 3/8	5 1/8	1/2	-	3/4 x 5	6 7/8	6

## CERTIFICATION DATA

TAG : \_\_\_\_\_

UNIT : \_\_\_\_\_

PLAN VIEW OF MOUNT LOCATION:



## SPECIFIED DEFLECTION

1 :	6 :
2 :	7 :
3 :	8 :
4 :	9 :
5 :	10 :
Sets Required:	



# MASON INDUSTRIES, Inc.

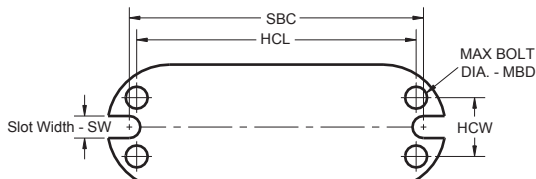
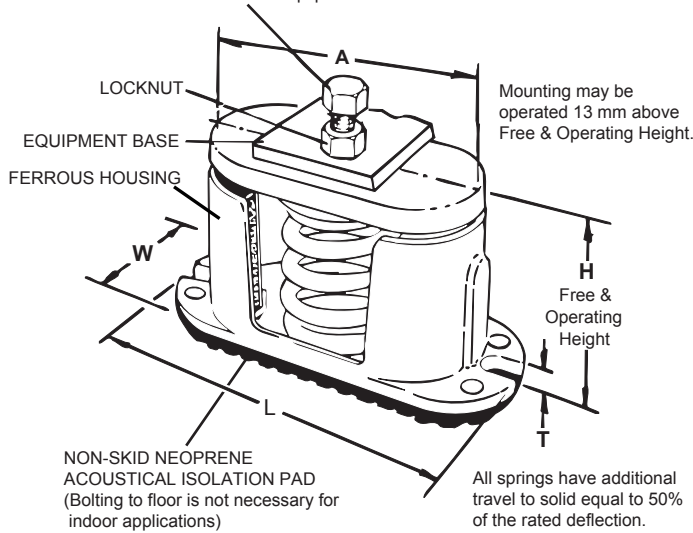
Manufacturers of Vibration Control Products  
 350 Rabro Drive 2101 W. Crescent Ave., Suite D  
 Hauppauge, NY 11788 Anaheim, CA 92801  
 631/348-0282 714/535-2727  
 FAX 631/348-0279 FAX 714/535-5738  
 Info@Mason-Ind.com Info@MasonAnaheim.com  
 www.Mason-Ind.com

JOB NAME \_\_\_\_\_  
 CUSTOMER \_\_\_\_\_  
 CUSTOMER P.O. \_\_\_\_\_  
 MASON M.I. \_\_\_\_\_  
 DWG. NO. \_\_\_\_\_

**C**  
 50mm Deflection  
 B, B2, C2, D, E,  
 F & G-C2 Series  
 Mounts

Illustration shows single spring C-B, C-B2 or C-C2  
 D,E,F & G-C2 mounts have 2,4,6 & 9 springs respectively.

TOP ACCESS ADJUSTMENT BOLT - Turn clockwise to load spring and maintain Free & Operating Height. Bolt length is suitable for 25mm maximum Equipment Base thickness.



BASE PLATE DIMENSIONS

C-B2-450, B2-680, C2-880 thru C2-1870, D,E,F & G-C2 mounts have minimum 25% of rated deflection additional travel to solid. The last two columns below show ratings at 50% additional travel.

### TYPE C RATINGS

Size	Rated Capacity (Kg)	Rated Defl. (mm)	Spring Constant (Kg/mm)	Spring Color/Stripe	Rated at 50% additional travel to solid Capacity (Kg)	Defl. (mm)
C-B-20	9	60.96	0.15	Tan	9	60.96
C-B-26	12	55.37	0.22	White/Black	12	55.37
C-B-35	16	55.88	0.29	Purple	16	55.88
C-B-50	23	55.88	0.41	White/Red	23	55.88
C-B-65	29	53.34	0.54	Brown	29	53.34
C-B-85	38	53.34	0.71	White/Black	38	53.34
C-B-115	52	50.80	1.02	Silver	52	50.80
C-B-150	68	50.80	1.34	Orange	68	50.80
C-B2-210	95	53.85	1.76	Silver	95	53.85
C-B2-290	131	50.80	2.58	Blue	131	50.80
C-B2-450	204	50.80	4.01	Tan	186	46.48
C-B2-680	308	50.80	6.06	Gray	256	42.16
C-C2-125	57	63.50	0.90	Purple	57	63.50
C-C2-170	77	60.96	1.26	Brown	77	60.96
C-C2-210	95	58.42	1.63	Red	95	58.42
C-C2-260	118	55.88	2.11	White	118	55.88
C-C2-330	150	50.80	2.95	Black	150	50.80
C-C2-460	209	50.80	4.11	Blue	209	50.80
C-C2-610	277	50.80	5.45	Green	277	50.80
C-C2-880	399	50.80	7.85	Gray	363	46.23
C-C2-1210	549	50.80	10.81	Silver	458	42.42
C-C2-1540	698	50.80	13.74	Gray*	583	42.42
C-C2-1870	848	50.80	16.69	Silver*	708	42.42
C-D-C2-2420	1098	50.80	21.61	Silver	916	42.42
C-D-C2-3080	1397	50.80	27.50	Gray*	1166	42.42
C-D-C2-3740	1696	50.80	33.38	Silver*	1415	42.42
C-E-C2-3520	1597	50.80	31.44	Gray	1451	46.23
C-E-C2-4840	2195	50.80	43.21	Silver	1832	42.42
C-E-C2-6160	2794	50.80	55.00	Gray*	2334	42.42
C-E-C2-7480	3392	50.80	66.77	Silver*	2833	42.42
C-F-C2-7260	3293	50.80	64.82	Silver	2749	42.42
C-F-C2-9240	4191	50.80	82.50	Gray*	3499	42.42
C-F-C2-12220	5089	50.80	100.18	Silver*	4250	42.42
C-G-C2-10890	4940	50.80	97.24	Silver	4125	42.42
C-G-C2-13860	6287	50.80	123.76	Gray*	5250	42.42
C-G-C2-16830	7634	50.80	150.27	Silver*	6375	42.42

### TYPE C DIMENSIONS (mm)

(Casting Dimensions may vary ± 3mm)

\*with RED core Spring

Size	A	L	T	W	SW	HCL	HCW	MBD	SBC	Adjustment Bolt	Free Height	Min. Height
C-B & B2	146	209	13	70	11	165	38	9	184	1/2x4	146	133
C-C2	168	225	14	89	11	184	44	9	200	5/8x4 1/2	165	140
C-D-C2	248	305	14	89	11	263	44	9	279	5/8x4 1/2	175	152
C-E-C2	308	324	16	168	-	289	130	13	-	3/4x5	175	152
C-F-C2	406	406	19	165	-	368	127	13	-	1x6	165	152
C-G-C2	502	502	19	254	-	467	209	13	-	1x6	171	159

### CERTIFICATION DATA

TAG : \_\_\_\_\_

UNIT : \_\_\_\_\_

PLAN VIEW OF MOUNT LOCATION:



### SPECIFIED DEFLECTION

1 :	6 :
2 :	7 :
3 :	8 :
4 :	9 :
5 :	10 :
Sets Required:	