



**STANDARD CONSTRUCTION**

MATERIAL:  
26 GAUGE ASTM A-653 HOT-DIPPED GALVANIZED  
STEEL SHEET

STANDARD SIZES:

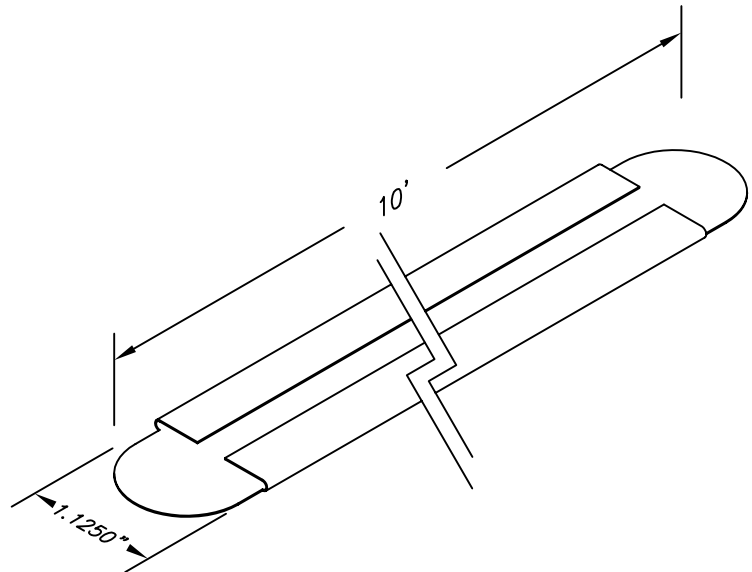
WIDTH	LENGTH	BUNDLE QTY.
1.125"	10'	100'

**FEATURES**

GALVANIZED STEEL PROVIDES EXCELLENT CORROSION  
RESISTANCE AND LONGEVITY.

SOLD IN BUNDLE QUANTITIES OF 10 PIECES (100').

OPTION: 24 GAUGE AVAILABLE (DRC-24).



JOB NAME:
LOCATION:
ARCHITECT:
ENGINEER:
CONTRACTOR:
CONTACT MIAMI TECH INC. FOR ADDITIONAL INFORMATION OR WITH SPECIAL REQUIREMENTS.  3611 NW 74TH ST MIAMI, FL 33147 PHONE: 305-693-7054 FAX: 305-693-6152  WEB: WWW.MIAMITECH.COM EMAIL: SALES@MIAMITECH.COM

**DRC**

DRIVE CLEATS  
PRODUCT SPECIFICATIONS

NOTE: ALL DRAWINGS SUBJECT TO CHANGE WITHOUT PRIOR NOTICE.



DRAWN BY: AF	DATE: 09/26/07	SCALE: NOT TO SCALE
CHECKED BY: IG	DATE: 09/26/07	REVISION: 1

DRAWING NO.  
DRC