



**STANDARD CONSTRUCTION**

MATERIAL:  
26 GAUGE ASTM A-653 HOT-DIPPED GALVANIZED  
STEEL SHEET

STANDARD SIZES:

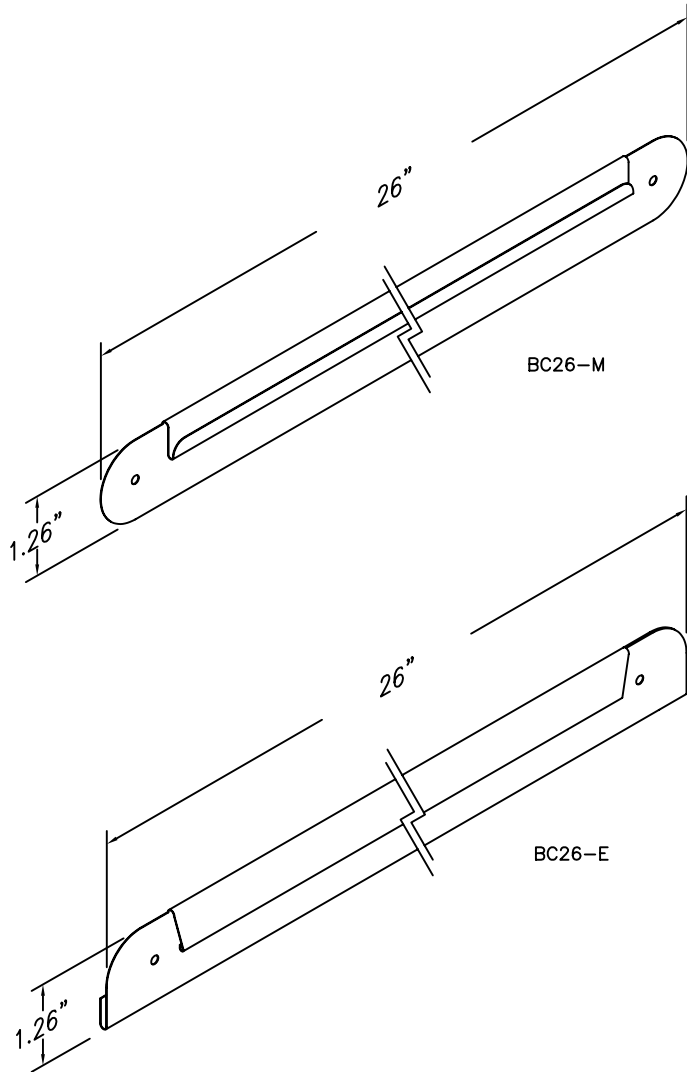
MODEL	WIDTH	LENGTH	BOX QTY.
BC-26M	1.26"	26"	100
BC-26E	1.26"	26"	100

**FEATURES**

26 GAUGE GALVANIZED STEEL PROVIDES EXCELLENT  
CORROSION RESISTANCE AND LONGEVITY.

SOLD IN BOX QUANTITIES OF 100 PIECES.

OPTION: CUSTOM SIZES AVAILABLE.



JOB NAME:
LOCATION:
ARCHITECT:
ENGINEER:
CONTRACTOR:
CONTACT MIAMI TECH INC. FOR ADDITIONAL INFORMATION OR WITH SPECIAL REQUIREMENTS.  3611 NW 74TH ST MIAMI, FL 33147 PHONE: 305-693-7054 FAX: 305-693-6152  WEB: WWW.MIAMITECH.COM EMAIL: SALES@MIAMITECH.COM

**BC**

BOOT CLIP  
PRODUCT SPECIFICATIONS



**miami tech inc.**

DRAWN BY: AF	DATE: 09/25/07	SCALE: NOT TO SCALE	DRAWING NO.
CHECKED BY: IG	DATE: 09/25/07	REVISION: 1	BC