



Heating and Air Conditioning

## TECHNICAL GUIDE

R-410A, 13 SEER

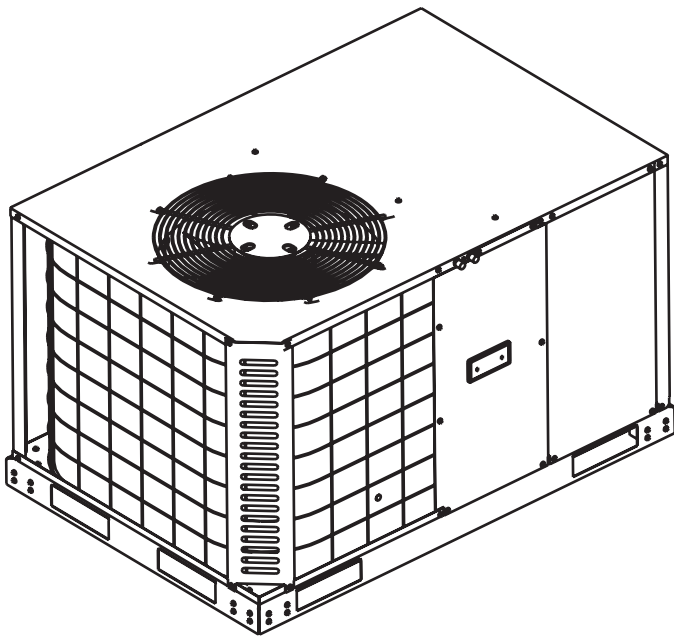
LATITUDE™ SERIES

60 Hertz

### Description

These York® Latitude™ packaged cooling/heating air conditioners are designed for outdoor installation. Only utility and duct connections are required at the point of installation.

Field-installed electric heater accessories are available to provide electric heat, if required. (Single phase only)



Tested in accordance with:



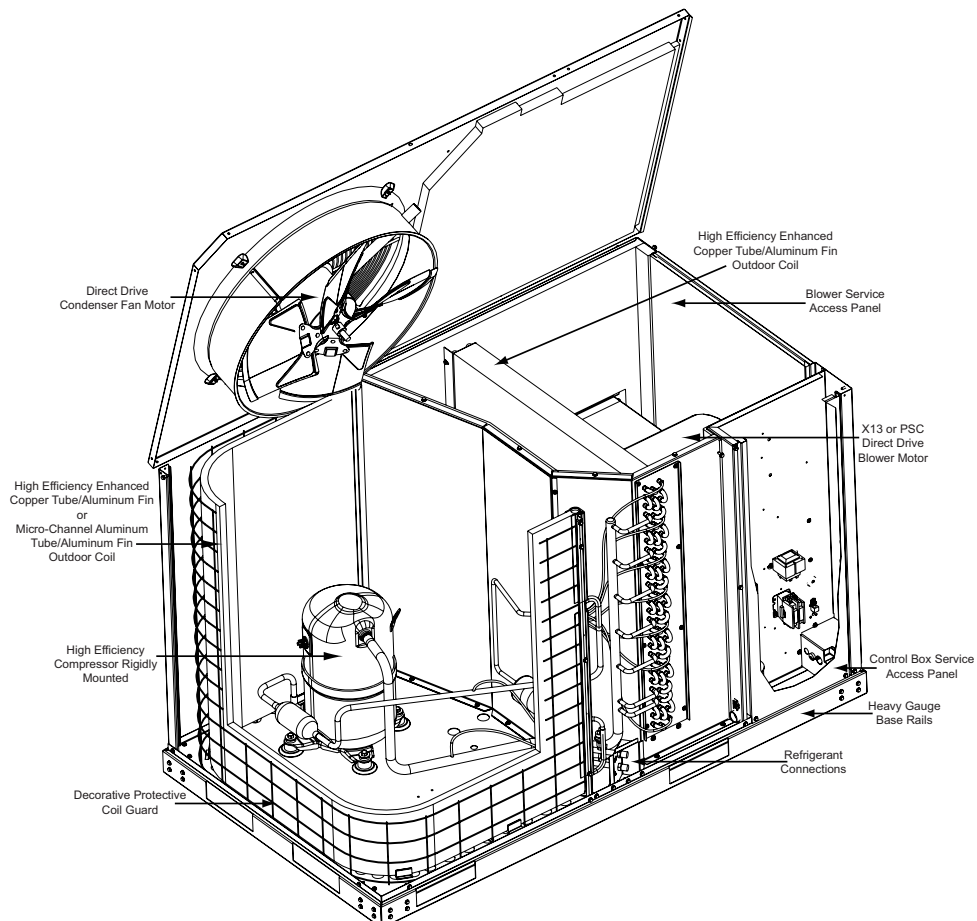
ISO 9001  
Certified Quality  
Management System

## Table of Contents

Description .....	1
Table of Contents .....	2
Component Location .....	2
Nomenclature .....	3
Features and Benefits .....	3
Guide Specifications .....	4
Physical Data .....	6
Capacity Performance .....	9
Airflow Performance .....	35
Sound Performance .....	39
Electrical Data .....	39
Weights and Dimensions .....	49

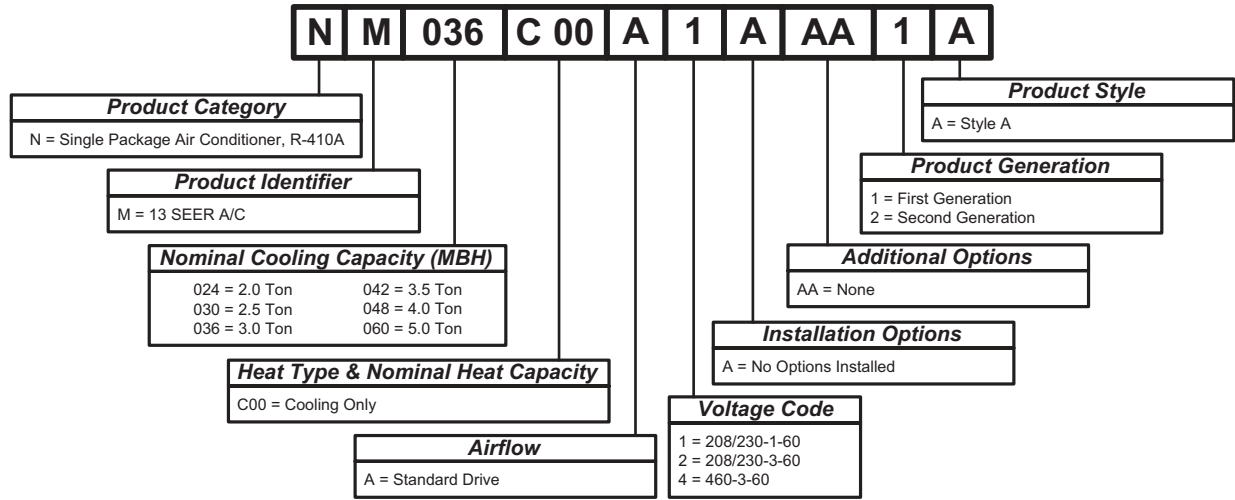
## Component Location

### Cooling Unit and Heat Pump

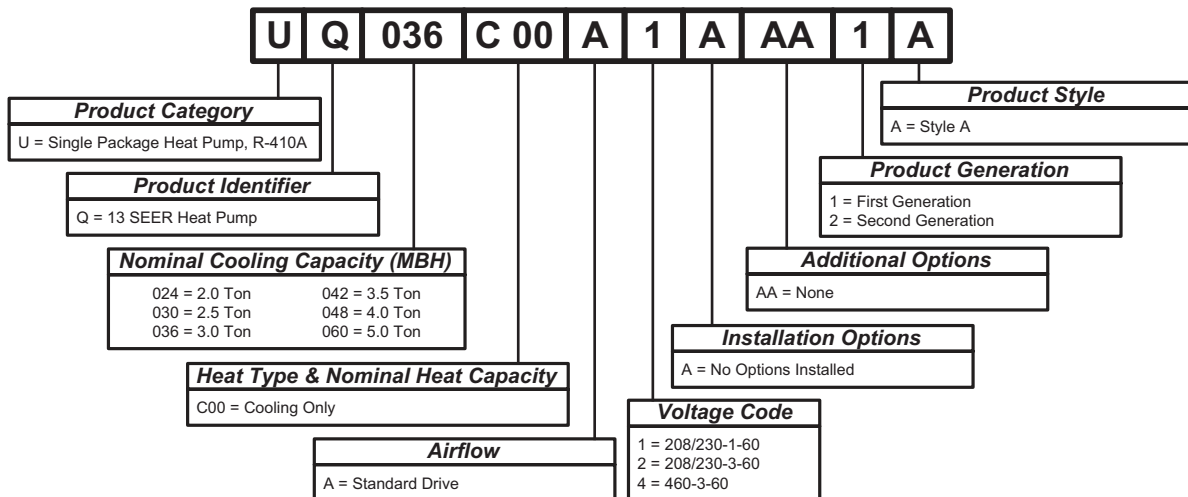


## Nomenclature

### Cooling Unit



### Heat Pump



## Features and Benefits

### Standard Features

- **Operating Efficiency** - All cooling units provide a SEER of 13.0.

All heat pump units provide operating efficiency of 13.0 SEER and 7.7 HSPF. All efficiencies meet legislated minimum levels.

- **Lower Installation Cost** - Installation time and costs are reduced by easy power and control wiring connections. The small base dimension means less space is required on the ground or roof, plus, the installer can fit this unit between the wheel wells of full size pick-up truck. All models are well under 400 pounds.

All units are completely wired, charged with R-410A and tested prior to shipment. Unique test stations using a new state of the art computerized process system are used to

insure product quality. Refrigerant charge and component part numbers are verified via computers at assembly. Vital run test statistics such as system pressure, motor currents, air velocity and temperature, unit vibration, and gas system safeties are monitored and recorded by the system to insure unit performance.

Equal size, side supply and return duct connections allows easy hook-up of ducts to match low crawl spaces without transition pieces.

- **Coil Technology** - All cooling units utilize Micro-Channel "all-aluminum" condensers which provide improved heat transfer capabilities, and reduced charge volumes. All evaporators utilize a conventional copper tube/aluminum fin design for proven reliability and performance.
- **Utility Connections Made Easy** - Electric utility knockouts are provided through the side of the unit. Utility connections can be made quickly and with a minimum

amount of field labor. A field supplied and field installed electrical disconnect switch must be installed.

- **Round Duct Flanges** - (Factory Supplied - Field Installed) Equal size, side supply and return duct flanges allow easy hook-up of ducts.
- **Condensate Pan** - A non-corrosive, long-lasting, water-tight pan is positioned below the evaporator coil to collect and drain all condensate. Less collection of stagnate condensate will build-up. The condensate pan conforms to ASHRAE 62-89 standards (Ventilation for Acceptable Indoor Air Quality).
- **Condensate Drain** - The 3/4 inch NPTF connection is rigidly mounted to assure proper fit and leak tight seal.
- **Durable Finish** - The cabinet is made of pre-painted steel. The pre-treated galvanized steel provides a better paint to steel bond, which resists corrosion and rust creep. Special primer formulas and matted-textured finish insure less fading when exposed to sunlight.
- **Full Perimeter Base Rails** - The base rails provide a solid foundation for the entire unit and protects the unit during shipment. The rails provide fork lift access from all sides. On applications where the unit is placed on a pad, the base will keep the unit off the pad to deter corrosion.
- **More Attractive Appearance** - A single piece Water Shed top cover containing a top discharge condenser fan arrangement requires less square footage on installation and provides a wider variety of installations. The one piece design adds greater water integrity.
- **Top Discharge** - The top discharge condenser fan does not disrupt neighboring areas or dry-out vegetation surrounding the unit. The warm air from the top mounted fan is blown up away from the structure and any landscaping. This allows compact location on multi-unit applications.
- **Condenser Coil Grille** - All models utilize a decorative "Wire Form" coil guard to provide impact protection against large objects.
- **Low Operating Sound Level** - The upward air flow carries the normal operating noise up and away from the living area. The rigid top panel effectively isolates any motor sound. Isolator mounted compressor and the rippled fins of the condenser coil muffle the normal fan motor and compressor operating sounds.
- **Fan System** - 2, 2-1/2 and 3 Ton A/C models operate with a 3-speed PSC (Permanent Split Capacitor) fan motor. 4 and 5 Ton A/C and all Heat Pump models operate with a constant torque (X Motor) fan motor with 5 speed taps. All these units easily match all types of applications and provide greater on site flexibility to match comfort requirements.
- **Protected Compressor** - The compressor is internally protected against high pressure and temperature. This is accomplished by the simultaneous operation of high pressure relief valve and a temperature sensor which protect the compressor if undesirable operating conditions occur.
- **Pressure Switches** - High pressure and low pressure/loss of charge switches standard in all units. On Heat

Pump models, when abnormal conditions are sensed through the pressure switches, the unit will lock-out preventing further operation until reset or the problem is corrected.

- **Exclusive Coil Design** - Grooved copper tubes and enhanced aluminum fin construction on all indoor coils and heat pump outdoor coils improve heat transfer for maximum efficiency and durability or Micro-Channel aluminum tube, aluminum fin on all cooling outdoor coils for long lasting durability and efficient operation.
- **Low Maintenance** - Long life, permanently lubricated condenser and evaporator fan motor bearings need no annual maintenance adding greater reliability to the unit.
- **Secured Service Access Ports** - Protected, externally mounted, re-usable service access ports are provided on both the high and low lines for ease of evacuating and charging the system. No final field mounting required.
- **Easy Service Access** - A large, single panel covers the electrical controls makes servicing easy. The blower compartment has a large panel which when removed will allow the blower fan assembly to slide-out for ease of maintenance and trouble shooting.
- **Replacement Parts** - The installer requires no special training to replace any of the components of these units and does not need to maintain an inventory of unique parts.

### Field Installed Accessories

- **Wall Thermostat** - The units are designed to operate with 24-volt electronic and electro-mechanical thermostats.
- **Electric Heat Kit** - Available in 4 different kW capacities (5, 7, 10 and 15 kW). (Single phase only)
- **Start Assist Kits** - Available for all models.
- **Outdoor Thermostat** - Available for all heat pump models.

### Guide Specifications

#### GENERAL

Units shall be factory-assembled, single packaged, Electric Cooling units, designed for outdoor mounted installation. Units shall have minimum SEER ratings of 13.0. Heat pump 7.7 HSPF.

The units shall be factory wired, piped, charged with R-410A refrigerant and factory tested prior to shipment. All unit wiring shall be color coded.

All units shall be manufactured in a facility certified to ISO 9001 standards, and the cooling performance shall be rated in accordance with DOE and ARI test procedures. Units shall be certified to UL 1995/CAN/CSA C22.2 No. 236 standards.

#### UNIT CABINET

1. Unit cabinet shall be constructed of G-90, pre-paint textured steel, certified at 500 hours salt spray test per ASTM-B117 standards.
2. The unit top shall be a single piece "Water Shed" design.

3. Unit shall have a rigidly mounted condenser coil guard to provide protection from objects and personnel after installation.
4. Indoor blower section shall be insulated with up to 3/4" thick insulation.
5. Cabinet panels shall be "large" size, easily removable for servicing and maintenance.
6. Unit shall be built on a formed, "Super-Structure" design base pan, with embossments at critical points to add strength, rigidity and aid in minimizing sound.
7. Full perimeter base rails shall be provided to assure reliable transit of equipment.
8. Condensate pan shall be internally sloped and conform to ASHARE 62-89 self-draining standards, with 3/4" NPTF ridged mount connection.

#### **INDOOR (EVAPORATOR) FAN ASSEMBLY**

1. Fan shall be direct drive, either 3 speed PSC (Permanent Split Capacitor) or 5 speed constant torque (X Motor) design.
2. Fan wheel shall be double-inlet type with forward-curved blades, dynamically balanced to operate smoothly throughout the entire range of operation. Airflow design shall be constant air volume.
3. Bearings shall be sealed and permanently lubricated for longer life and no maintenance.
4. Fan assembly shall be accessible via removable inlet ring.

#### **OUTDOOR (CONDENSER) FAN ASSEMBLY**

1. The outdoor fan shall be of the direct-driven propeller type, discharge air vertically, have aluminum blades riveted to corrosion resistant steel spider bracket and shall be statically balanced for smooth operation.
2. The outdoor fan motor shall be totally enclosed with permanently lubricated bearings and internally protected against overload conditions.

#### **REFRIGERANT COMPONENTS**

##### Compressors:

- a. Shall be fully hermetic reciprocating, rotary or scroll type, direct drive, internally protected with internal high-pressure relief and over temperature protection. The hermetic motor shall be suction gas cooled and have a voltage range of + or - 10% of the unit nameplate voltage.
- b. Shall have internal isolation and sound muffling to minimize vibration and noise, and be externally isolated on a dedicated, independent mounting.

##### Coils:

- a. Evaporator coils shall have aluminum plate fins mechanically bonded to seamless internally enhanced copper tubes with all joints brazed.
- b. Evaporator coil shall be of the direct expansion, blow through design.
- c. Condenser coils shall have aluminum plate fins mechanically bonded to seamless internally enhanced copper tubes with all joints brazed or Micro-Channel aluminum tube, aluminum fins.
- d. Condenser coil shall be draw through design.

##### Refrigerant Circuit and Refrigerant Safety Components shall include:

- a. Independent fixed-orifice or TXV expansion devices.
- b. Filter/strainer to eliminate any foreign matter.
- c. Accessible service gage connections on both suction and discharge lines to charge, evacuate, and measure refrigerant pressure during any necessary servicing or troubleshooting, without losing charge and without disrupting condenser or evaporator air flow.

##### Unit Controls:

- a. Controls shall be mounted in a large control box, allowing easy access for trouble shooting and maintenance without affecting the normal system operation pressures.
- b. Unit shall have large, easily removable panels, covering electrical controls and compressor, allowing easy access for any necessary maintenance or servicing.

#### **ELECTRIC HEATING SECTION**

1. An electric heating section, with nickel chromium elements, shall be provided in a range of 5 thru 15 KW, single phase only.
2. The heating section shall have a primary limit control(s) and automatic reset, to prevent the heating element system from operating at an excessive temperature.
3. The heating section assembly shall slide out of the unit for easy maintenance and service.

#### **UNIT OPERATING CHARACTERISTICS**

1. Unit shall be capable of starting and running at 125° F outdoor temperature, exceeding maximum load criteria of ARI Standard 210/240.
2. The compressor, with standard controls, shall be capable of cooling operation down to 45° F outdoor temperature.

#### **ELECTRICAL REQUIREMENTS**

All unit power wiring shall enter unit cabinet at a single factory provided location.

Separate openings shall be provided for the control wiring.

## Physical Data

### NM024-060 Physical Data

Component	Models					
	NM024	NM030	NM036	NM042	NM048	NM060
Nominal Tonnage	2.0	2.5	3.0	3.5	4.0	5.0
<b>ARI COOLING PERFORMANCE</b>						
Gross Capacity @ ARI A point (Btu)	24300	31500	37000	41400	48100	57500
ARI net capacity (Btu)	23300	30200	35400	40200	46500	55800
EER	10.8	11.4	11	10.8	11.2	10.8
SEER	13	13	13	13	13	13
Nominal CFM	850	1000	1200	1150	1450	1700
System power (KW)	2.15	2.64	3.21	3.72	4.15	5.17
Refrigerant type	R-410A	R-410A	R-410A	R-410A	R-410A	R-410A
Refrigerant charge (lb-oz)						
System 1	4-6	4-6	4-8	4-8	4-12	4-14
<b>DIMENSIONS (inches)</b>						
Length	47-1/4	47-1/4	47-1/4	47-1/4	57-9/16	57-9/16
Width	32-13/16	32-13/16	32-13/16	32-13/16	32-13/16	32-13/16
Height	30-15/16	30-15/16	30-15/16	30-15/16	34-15/16	34-15/16
<b>OPERATING WT. (lbs.)</b>	276	279	315	315	357	350
<b>COMPRESSORS</b>						
Type	Recip	Recip	Recip	Recip	Recip	Scroll
Quantity	1	1	1	1	1	1
<b>CONDENSER COIL DATA</b>						
Face area (Sq. Ft.)	11.2	11.2	11.2	11.2	15.1	15.1
Rows	1	1	1	1	1	1
Fins per inch	23	23	23	23	23	23
Tube diameter (in.)	.71/18	.71/18	.71/18	.71/18	.71/18	.71/18
Circuitry Type	2-pass Microchannel	2-pass Microchannel	2-pass Microchannel	2-pass Microchannel	2-pass Microchannel	2-pass Microchannel
<b>EVAPORATOR COIL DATA</b>						
Face area (Sq. Ft.)	4.67	4.67	4.67	4.67	5.44	5.44
Rows	3	3	4	4	3	4
Fins per inch	13	13	13	13	13	13
Tube diameter	3/8	3/8	3/8	3/8	3/8	3/8
Circuitry Type	Intertwined	Intertwined	Intertwined	Intertwined	Intertwined	Intertwined
Refrigerant control	Orifice	Orifice	Orifice	Orifice	Orifice	Orifice
<b>CONDENSER FAN DATA</b>						
Quantity	1	1	1	1	1	1
Fan diameter (Inch)	20	20	20	20	22	22
Type	Prop	Prop	Prop	Prop	Prop	Prop
Drive type	Direct	Direct	Direct	Direct	Direct	Direct
No. speeds	1	1	1	1	1	1
Number of motors	1	1	1	1	1	1
Motor HP each	1/4	1/4	1/4	1/3	1/3	1/3
RPM	850	1100	1100	1100	1100	1100
Nominal total CFM	2500	2800	2800	3000	3200	3200
<b>DIRECT DRIVE EVAP FAN DATA</b>						
Quantity	1	1	1	1	1	1
Fan Size (Inch)	10 x 7	10 x 7	10 x 7	10 x 7	11 x 10	11 x 10
Fan type	Centrifugal	Centrifugal	Centrifugal	Centrifugal	Centrifugal	Centrifugal
Drive type	Direct	Direct	Direct	Direct	Direct	Direct
No. speeds	3	3	3	5	5	5
Number of Motors	1	1	1	1	1	1
Motor HP each	1/2	1/2	1/2	1/2	1	1
RPM	1075	1075	1075	1100	1100	1100
Frame size	48	48	48	48	48	48
<b>FILTERS</b>						
Quantity - Size	-	-	-	-	-	-

**UQ024-060 Physical Data**

Component	Models					
	UQ024	UQ030	UQ036	UQ042	UQ048	UQ060
Nominal Tonnage	2.0	2.5	3.0	3.5	4.0	5.0
<b>ARI COOLING PERFORMANCE</b>						
Gross Capacity @ ARI A point (Btu)	23220	28750	37000	41404	48000	54384
ARI net capacity (Btu)	22600	28000	35200	40200	46500	53000
EER	11.2	11.2	11.2	11.4	11.6	10.8
SEER	13	13	13	13	13	13
Nominal CFM	900	1000	1200	1450	1600	1650
System power (KW)	2.02	2.50	3.16	3.74	4.02	4.84
Refrigerant type	R-410A	R-410A	R-410A	R-410A	R-410A	R-410A
Refrigerant charge (lb-oz)						
System 1	7-7	9-4	9-10	12-4	12-8	12-8
<b>ARI HEATING PERFORMANCE</b>						
47°F Capacity Rating (MBH)	20000	26500	32000	38300	43000	50000
System Power KW/COP	1720/3.4	2386/3.25	2930/3.2	3280/3.40	3654/3.45	4523/3.25
17°F Capacity Rating (MBH)	11000	14800	18400	21600	24400	29200
System Power KW/COP	1610/2.00	2122/2.04	2598/2.04	3125/2.03	3437/2.08	4057/2.10
HSPF BTU/Watts-hr	7.7	7.7	7.7	7.7	7.7	7.7
<b>DIMENSIONS (inches)</b>						
Length	47-1/4	47-1/4	47-1/4	57-9/16	57-9/16	57-9/16
Width	32-13/16	32-13/16	32-13/16	32-13/16	32-13/16	32-13/16
Height	30-15/16	30-15/16	30-15/16	34-15/16	34-15/16	34-15/16
<b>OPERATING WT. (lbs.)</b>	325	340	340	372	382	390
<b>COMPRESSORS</b>						
Type	Scroll	Scroll	Scroll	Scroll	Scroll	Scroll
Quantity	1	1	1	1	1	1
<b>CONDENSER COIL DATA</b>						
Face area (Sq. Ft.)	11.1	11.28	11.28	16	16	20
Rows	1	2	2	2	2	2
Fins per inch	20	15	20	15	15	20
Tube diameter (in.)	3/8	3/8	3/8	3/8	3/8	3/8
Circuitry Type	Intertwined	Intertwined	Intertwined	Intertwined	Intertwined	Intertwined
Refrigerant Control	TXV	TXV	TXV	TXV	TXV	TXV
<b>EVAPORATOR COIL DATA</b>						
Face area (Sq. Ft.)	4.67	4.67	4.67	5.44	5.44	5.44
Rows	3	3	3	4	4	4
Fins per inch	13	13	16	13	13	13
Tube diameter	3/8	3/8	3/8	3/8	3/8	3/8
Circuitry Type	Intertwined	Intertwined	Intertwined	Intertwined	Intertwined	Intertwined
Refrigerant control	Orifice	Orifice	Orifice	Orifice	Orifice	TXV
<b>CONDENSER FAN DATA</b>						
Quantity	1	1	1	1	1	1
Fan diameter (Inch)	20	20	20	22	22	22
Fan type	Prop	Prop	Prop	Prop	Prop	Prop
Drive type	Direct	Direct	Direct	Direct	Direct	Direct
No. speeds	1	1	1	1	1	1
Number of motors	1	1	1	1	1	1
Motor HP each	1/4	1/4	1/4	1/3	1/3	1/3
RPM	850	850	1100	1100	1100	1100
Nominal total CFM	2500	2500	2850	3200	3200	3200
<b>DIRECT DRIVE EVAP FAN DATA</b>						
Quantity	1	1	1	1	1	1
Fan diameter (Inch)	10 x 7	10 x 7	10 x 7	11 x 10	11 x 10	11 x 10
Fan type	Centrifugal	Centrifugal	Centrifugal	Centrifugal	Centrifugal	Centrifugal
Drive type	Direct	Direct	Direct	Direct	Direct	Direct
No. speeds	5	5	5	5	5	5
Number of motors	1	1	1	1	1	1
Motor HP each	1/2	1/2	1/2	1	1	1
RPM	1100	1100	1100	1100	1100	1100
Frame size	48	48	48	48	48	48
<b>FILTERS</b>						
Size / Quantity	-	-	-	-	-	-

**NM and UQ Unit Limitations**

Size (Tons)	Model	Unit Voltage	Unit Limitations		
			Applied Voltage		Outdoor DB Temp
			Min	Max	Max (°F)
024 (2.0)	NM UQ	208/230-1-60	187	252	125
030 (2.5)	NM UQ	208/230-1-60	187	252	125
036 (3.0)	NM UQ	208/230-1-60	187	252	125
		208/230-3-60	187	252	125
042 (3.5)	NM UQ	208/230-1-60	187	252	125
048 (4.0)	NM UQ	208/230-1-60	187	252	125
		208/230-3-60	187	252	125
		460-3-60	432	504	125
060 (5.0)	NM UQ	208/230-1-60	187	252	125
		208/230-3-60	187	252	125
		460-3-60	432	504	125



# Capacity Performance

## NM024-060 Cooling Capacities

### NM024 (2.0 Ton)

Air on Evaporator Coil		Temperature of Air on Condenser Coil																	
CFM	WB (°F)	Total Capacity <sup>1</sup> (MBh)	Total Input (kW) <sup>2</sup>	Sensible Capacity (MBh)						Total Capacity <sup>1</sup> (MBh)	Total Input (kW) <sup>2</sup>	Sensible Capacity (MBh)							
				Return Dry Bulb (°F)								Return Dry Bulb (°F)							
				90	85	80	75	70	65			90	85	80	75	70	65		
				75°F								85°F							
500	77	35.1	1.8	14.7	12.1	9.8	-	-	-	31.8	1.9	13.1	10.9	8.7	-	-	-		
	72	31.6	1.8	17.5	15.2	12.9	10.6	-	-	28.1	1.9	16.1	13.9	11.7	9.5	-	-		
	67	28.0	1.8	20.4	18.4	16.1	13.8	11.5	-	24.5	1.9	19.2	16.9	14.7	12.5	10.3	-		
	62	24.6	1.8	24.6	20.0	17.9	15.6	13.3	11.0	21.3	1.9	21.3	18.5	16.0	13.8	11.6	9.4		
600	77	36.0	1.8	15.9	13.3	10.7	-	-	-	32.7	2.0	14.6	12.1	9.5	-	-	-		
	72	32.4	1.8	19.3	16.7	14.1	11.5	-	-	29.0	2.0	17.9	15.4	12.8	10.3	-	-		
	67	28.7	1.8	22.7	20.1	17.5	14.9	12.3	-	25.2	1.9	21.2	18.7	16.1	13.6	11.0	-		
	62	25.2	1.8	25.2	22.1	19.5	16.9	14.3	11.7	22.0	1.9	22.0	20.1	17.6	15.0	12.5	9.9		
700	77	36.9	1.8	17.1	14.5	11.6	-	-	-	33.7	2.0	16.1	13.2	10.3	-	-	-		
	72	33.2	1.8	21.1	18.2	15.3	12.4	-	-	29.9	2.0	19.7	16.8	14.0	11.1	-	-		
	67	29.5	1.8	25.1	21.9	19.0	16.1	13.2	-	26.0	2.0	23.3	20.4	17.6	14.7	11.8	-		
	62	25.9	1.8	25.9	24.3	21.2	18.3	15.3	12.4	22.7	2.0	22.7	21.7	19.1	16.2	13.4	10.5		
800	77	37.8	1.8	18.3	15.7	12.5	-	-	-	34.7	2.0	17.6	14.4	11.2	-	-	-		
	72	34.0	1.8	22.9	19.7	16.5	13.2	-	-	30.7	2.0	21.5	18.3	15.1	11.9	-	-		
	67	30.2	1.8	27.5	23.7	20.5	17.2	14.0	-	26.7	2.0	25.4	22.2	19.0	15.8	12.5	-		
	62	26.5	1.8	26.5	26.5	22.8	19.6	16.3	13.1	23.3	2.0	23.3	23.3	20.7	17.4	14.2	11.0		
900	77	35.1	1.9	24.5	21.0	17.5	14.0	-	-	31.7	2.0	23.1	19.6	16.1	12.6	-	-		
	72	31.2	1.9	29.8	25.3	21.8	18.3	14.8	-	27.6	2.0	27.0	23.7	20.2	16.7	13.2	-		
	67	27.4	1.9	27.4	27.4	24.3	20.8	17.3	13.8	24.1	2.0	24.1	24.1	22.0	18.5	15.0	11.5		
	62	26.0	1.8	26.0	26.0	26.0	22.5	19.0	15.5	23.1	2.0	23.1	23.1	23.1	19.6	16.1	12.6		
1000	77	36.2	1.9	26.1	22.3	18.6	14.8	-	-	32.8	2.1	24.7	20.9	17.1	13.3	-	-		
	72	32.2	1.9	32.2	26.8	23.1	19.3	15.5	-	28.5	2.1	28.5	25.3	21.5	17.7	13.9	-		
	67	28.2	1.9	28.2	28.2	25.7	21.9	18.2	14.4	24.9	2.1	24.9	24.9	23.4	19.6	15.8	12.0		
	62	26.8	1.9	26.8	26.8	26.8	23.0	19.3	15.5	23.8	2.0	23.8	23.8	23.8	20.0	16.2	12.4		
				95°F								105°F							
500	77	28.4	2.1	11.6	9.7	7.6	-	-	-	25.7	2.3	12.6	10.1	8.0	-	-	-		
	72	24.7	2.1	14.8	12.6	10.5	8.4	-	-	21.8	2.3	14.6	12.5	10.4	8.3	-	-		
	67	20.9	2.1	18.0	15.5	13.4	11.3	9.1	-	18.0	2.2	16.5	14.8	12.7	10.6	8.5	-		
	62	18.1	2.0	18.1	17.1	14.2	12.1	9.9	7.8	15.5	2.2	15.5	15.0	13.4	11.3	9.2	7.1		
600	77	29.5	2.1	13.3	10.9	8.4	-	-	-	26.6	2.3	14.1	10.9	8.5	-	-	-		
	72	25.6	2.1	16.5	14.1	11.6	9.1	-	-	22.6	2.3	15.9	13.4	11.0	8.5	-	-		
	67	21.7	2.1	19.7	17.3	14.8	12.3	9.8	-	18.7	2.3	17.7	15.9	13.4	11.0	8.6	-		
	62	18.8	2.1	18.8	18.1	15.6	13.1	10.7	8.2	16.1	2.2	16.1	15.8	14.3	11.8	9.4	6.9		
700	77	30.6	2.2	15.1	12.0	9.1	-	-	-	27.6	2.4	15.5	11.7	8.9	-	-	-		
	72	26.5	2.2	18.3	15.5	12.6	9.8	-	-	23.5	2.3	17.2	14.4	11.6	8.8	-	-		
	67	22.5	2.1	21.5	19.0	16.1	13.3	10.4	-	19.3	2.3	18.8	17.0	14.2	11.4	8.6	-		
	62	19.5	2.1	19.5	19.1	17.1	14.2	11.4	8.5	16.7	2.3	16.7	16.5	15.1	12.3	9.5	6.7		
800	77	31.7	2.2	16.9	13.1	9.9	-	-	-	28.5	2.4	16.9	12.5	9.4	-	-	-		
	72	27.5	2.2	20.1	16.9	13.7	10.5	-	-	24.3	2.4	18.5	15.3	12.2	9.0	-	-		
	67	23.3	2.2	23.3	20.7	17.5	14.3	11.1	-	20.0	2.3	20.0	18.1	15.0	11.9	8.7	-		
	62	20.2	2.1	20.2	20.2	18.5	15.3	12.1	8.9	17.2	2.3	17.2	17.2	15.9	12.8	9.6	6.5		
900	77	28.4	2.2	21.7	18.2	14.6	11.1	-	-	24.7	2.4	20.3	16.9	13.5	10.0	-	-		
	72	24.1	2.2	24.1	22.2	18.7	15.2	11.6	-	20.4	2.4	20.4	19.1	16.5	13.1	9.7	-		
	67	20.8	2.2	20.8	20.8	19.8	16.3	12.7	9.2	17.6	2.3	17.6	17.6	16.8	13.3	9.9	6.5		
	62	20.2	2.2	20.2	20.2	20.2	16.7	13.2	9.6	17.1	2.3	17.1	17.1	17.1	13.7	10.2	6.8		
1000	77	29.3	2.3	23.2	19.4	15.6	11.7	-	-	25.1	2.4	22.1	18.5	14.7	11.0	-	-		
	72	24.9	2.2	24.9	23.7	19.9	16.0	12.2	-	20.7	2.4	20.7	20.1	18.1	14.3	10.6	-		
	67	21.5	2.2	21.5	21.5	21.0	17.2	13.4	9.5	17.9	2.4	17.9	17.9	17.6	13.9	10.2	6.4		
	62	20.9	2.2	20.9	20.9	20.9	17.0	13.2	9.4	17.4	2.4	17.4	17.4	17.4	13.7	9.9	6.2		

**NM024 (2.0 Ton) (Continued)**

Air on Evaporator Coil		Temperature of Air on Condenser Coil															
CFM	WB (°F)	Total Capacity <sup>1</sup> (MBh)	Total Input (kW) <sup>2</sup>	Sensible Capacity (MBh)						Total Capacity <sup>1</sup> (MBh)	Total Input (kW) <sup>2</sup>	Sensible Capacity (MBh)					
				Return Dry Bulb (°F)								Return Dry Bulb (°F)					
				90	85	80	75	70	65			90	85	80	75	70	65
		<b>115°F</b>						<b>125°F</b>									
500	77	22.9	2.5	13.7	10.5	8.5	-	-	-	20.2	2.7	16.2	11.9	8.9	-	-	-
	72	19.0	2.4	14.4	12.3	10.2	8.1	-	-	16.2	2.6	14.1	12.1	10.1	8.0	-	-
	67	15.0	2.4	15.0	14.0	12.0	9.9	7.8	-	12.1	2.5	12.1	12.1	11.2	9.2	7.1	-
	62	12.9	2.4	12.9	12.9	12.7	10.6	8.5	6.5	10.4	2.5	10.4	10.4	10.4	9.9	7.9	5.8
600	77	23.8	2.5	14.8	11.0	8.6	-	-	-	20.9	2.7	16.4	11.7	8.7	-	-	-
	72	19.7	2.5	15.2	12.8	10.4	8.0	-	-	16.7	2.6	14.5	12.1	9.8	7.4	-	-
	67	15.6	2.4	15.6	14.5	12.1	9.7	7.3	-	12.5	2.6	12.5	12.5	10.8	8.5	6.1	-
	62	13.4	2.4	13.4	13.4	12.9	10.5	8.1	5.7	10.7	2.6	10.7	10.7	10.7	9.2	6.8	4.4
57	13.1	2.4	13.1	13.1	13.1	10.7	8.3	5.9	10.6	2.6	10.6	10.6	10.6	9.1	6.7	4.4	
700	77	24.6	2.5	15.9	11.5	8.7	-	-	-	21.6	2.7	16.7	11.5	8.5	-	-	-
	72	20.4	2.5	16.0	13.3	10.5	7.8	-	-	17.3	2.7	14.8	12.1	9.5	6.8	-	-
	67	16.1	2.4	16.1	15.1	12.3	9.6	6.8	-	12.9	2.6	12.9	12.9	10.4	7.7	5.1	-
	62	13.9	2.4	13.9	13.9	13.1	10.3	7.6	4.9	11.1	2.6	11.1	11.1	11.1	8.4	5.7	3.0
57	13.6	2.4	13.6	13.6	13.6	10.9	8.1	5.4	11.0	2.6	11.0	11.0	11.0	8.7	6.0	3.3	
800	77	25.4	2.6	17.0	11.9	8.8	-	-	-	22.3	2.8	17.0	11.3	8.3	-	-	-
	72	21.0	2.5	16.8	13.7	10.7	7.6	-	-	17.8	2.7	15.2	12.2	9.2	6.2	-	-
	67	16.7	2.5	16.7	15.6	12.5	9.4	6.4	-	13.4	2.6	13.4	13.0	10.0	7.0	4.0	-
	62	14.3	2.5	14.3	14.3	13.3	10.2	7.1	4.1	11.4	2.6	11.4	11.4	10.7	7.7	4.7	1.7
57	14.1	2.5	14.1	14.1	14.1	11.0	7.9	4.8	11.3	2.6	11.3	11.3	11.3	8.3	5.3	2.3	
900	72	21.0	2.6	18.9	15.7	12.3	8.9	-	-	17.3	2.7	17.3	14.4	11.1	7.8	-	-
	67	16.6	2.5	16.6	16.1	14.4	11.0	7.7	-	12.9	2.7	12.9	12.9	12.3	9.0	5.7	-
	62	14.3	2.5	14.3	14.3	13.8	10.4	7.0	3.7	11.0	2.7	11.0	11.0	10.8	7.5	4.2	0.9
	57	14.0	2.5	14.0	14.0	14.0	10.7	7.3	3.9	10.9	2.7	10.9	10.9	10.9	7.7	4.4	1.1
1000	72	20.9	2.6	20.9	17.6	13.9	10.3	-	-	16.8	2.8	16.8	16.6	13.1	9.5	-	-
	67	16.6	2.6	16.6	16.6	16.3	12.6	9.0	-	12.5	2.7	12.5	12.5	12.5	10.9	7.4	-
	62	14.3	2.5	14.3	14.3	14.3	10.6	7.0	3.3	10.6	2.7	10.6	10.6	10.6	7.3	3.8	0.2
	57	14.0	2.5	14.0	14.0	14.0	10.3	6.7	3.0	10.6	2.7	10.6	10.6	10.6	7.0	3.4	-0.1

1. These capacities are Net capacities.
2. These ratings include the compressor, condenser fan and supply air blower motors.

**NM030 (2.5 Ton)**

Air on Evaporator Coil		Temperature of Air on Condenser Coil															
CFM	WB (°F)	Total Capacity <sup>1</sup> (MBh)	Total Input (kW) <sup>2</sup>	Sensible Capacity (MBh)						Total Capacity <sup>1</sup> (MBh)	Total Input (kW) <sup>2</sup>	Sensible Capacity (MBh)					
				Return Dry Bulb (°F)								Return Dry Bulb (°F)					
				90	85	80	75	70	65			90	85	80	75	70	65
				<b>75°F</b>						<b>85°F</b>							
675	77	40.4	2.2	17.2	14.5	11.8	-	-	-	37.9	2.4	16.5	13.7	11.0	-	-	-
	72	37.2	2.2	21.6	18.9	16.2	13.5	-	-	34.4	2.4	20.7	17.9	15.2	12.4	-	-
	67	34.1	2.1	26.0	23.3	20.6	17.9	15.2	-	30.9	2.3	24.9	22.1	19.4	16.6	13.9	-
	62	30.8	2.1	30.8	29.8	24.9	22.2	19.5	16.8	27.2	2.3	27.2	26.7	23.4	20.6	17.9	15.1
750	77	41.6	2.2	18.3	15.4	12.5	-	-	-	39.0	2.4	17.5	14.6	11.6	-	-	-
	72	38.4	2.2	23.0	20.1	17.1	14.2	-	-	35.5	2.4	22.0	19.0	16.0	13.0	-	-
	67	35.2	2.2	27.7	24.7	21.8	18.8	15.9	-	31.9	2.4	26.4	23.4	20.5	17.5	14.5	-
	62	31.8	2.1	31.8	31.1	26.3	23.4	20.4	17.5	28.0	2.3	28.0	27.7	24.7	21.7	18.7	15.7
57	29.1	2.1	29.1	29.1	27.9	25.0	22.0	19.1	26.5	2.3	26.5	26.5	25.4	22.5	19.5	16.5	-
825	77	42.9	2.2	19.5	16.3	13.1	-	-	-	40.2	2.5	18.6	15.4	12.2	-	-	-
	72	39.6	2.2	24.4	21.2	18.0	14.9	-	-	36.5	2.4	23.3	20.1	16.9	13.6	-	-
	67	36.3	2.2	29.3	26.1	22.9	19.8	16.6	-	32.8	2.4	28.0	24.8	21.5	18.3	15.1	-
	62	32.8	2.2	32.8	32.4	27.7	24.5	21.3	18.2	28.9	2.4	28.9	28.7	26.0	22.8	19.5	16.3
57	30.0	2.2	30.0	30.0	29.4	26.2	23.0	19.9	27.3	2.4	27.3	27.3	26.8	23.6	20.3	17.1	-
900	77	44.2	2.3	20.6	17.2	13.8	-	-	-	41.4	2.5	19.7	16.2	12.8	-	-	-
	72	40.8	2.3	25.7	22.3	18.9	15.5	-	-	37.6	2.5	24.6	21.1	17.7	14.2	-	-
	67	37.4	2.2	30.9	27.5	24.1	20.7	17.3	-	33.8	2.4	29.5	26.1	22.6	19.2	15.7	-
	62	33.7	2.2	33.7	33.7	29.1	25.6	22.2	18.8	29.7	2.4	29.7	29.7	27.3	23.8	20.4	16.9
57	30.9	2.2	30.9	30.9	30.9	27.4	24.0	20.6	28.1	2.4	28.1	28.1	28.1	24.7	21.2	17.8	-
1075	72	42.0	2.3	29.1	24.9	20.7	16.5	-	-	38.7	2.6	27.6	23.5	19.4	15.3	-	-
	67	38.5	2.3	35.2	30.5	26.3	22.1	17.9	-	34.8	2.5	32.6	28.9	24.8	20.7	16.6	-
	62	34.7	2.3	34.7	34.7	32.4	28.2	24.0	19.8	30.6	2.5	30.6	30.6	29.3	25.2	21.1	17.0
	57	31.7	2.3	31.7	31.7	31.7	27.5	23.3	19.1	28.9	2.5	28.9	28.9	28.9	24.8	20.7	16.6
1250	72	43.1	2.4	32.5	27.5	22.5	17.5	-	-	39.8	2.6	30.6	25.8	21.1	16.3	-	-
	67	39.5	2.4	39.5	33.6	28.6	23.6	18.6	-	35.7	2.6	35.7	31.7	26.9	22.2	17.4	-
	62	35.7	2.4	35.7	35.7	35.7	30.7	25.7	20.7	31.4	2.6	31.4	31.4	31.4	26.6	21.9	17.1
	57	32.6	2.4	32.6	32.6	32.6	27.6	22.6	17.6	29.7	2.6	29.7	29.7	29.7	25.0	20.2	15.4
				<b>95°F</b>						<b>105°F</b>							
675	77	35.4	2.6	15.7	12.9	10.1	-	-	-	32.4	2.8	14.6	11.7	8.9	-	-	-
	72	31.5	2.6	19.7	16.9	14.1	11.3	-	-	28.3	2.8	18.4	15.6	12.8	10.0	-	-
	67	27.7	2.5	23.8	21.0	18.1	15.3	12.5	-	24.2	2.7	22.3	19.6	16.8	14.0	11.1	-
	62	23.5	2.5	23.5	23.5	21.9	19.1	16.3	13.4	20.8	2.7	20.8	20.8	18.6	15.8	13.0	10.2
750	77	36.4	2.6	16.7	13.7	10.7	-	-	-	33.0	2.9	16.0	12.4	9.3	-	-	-
	72	32.5	2.6	21.0	17.9	14.9	11.9	-	-	28.9	2.8	19.6	16.5	13.5	10.5	-	-
	67	28.5	2.6	25.2	22.2	19.1	16.1	13.1	-	24.7	2.8	23.1	20.7	17.6	14.6	11.6	-
	62	24.2	2.5	24.2	24.2	23.1	20.0	17.0	14.0	21.2	2.7	21.2	21.2	19.6	16.5	13.5	10.5
57	23.9	2.5	23.9	23.9	23.0	19.9	16.9	13.9	20.6	2.7	20.6	20.6	19.5	16.5	13.4	10.4	
825	77	37.5	2.7	17.8	14.5	11.2	-	-	-	33.7	2.9	17.5	13.1	9.8	-	-	-
	72	33.4	2.6	22.2	18.9	15.7	12.4	-	-	29.4	2.9	20.7	17.4	14.2	10.9	-	-
	67	29.4	2.6	26.7	23.4	20.1	16.9	13.6	-	25.2	2.8	23.9	21.8	18.5	15.3	12.0	-
	62	24.9	2.6	24.9	24.9	24.3	21.0	17.7	14.5	21.6	2.7	21.6	21.6	20.6	17.3	14.0	10.8
57	24.6	2.6	24.6	24.6	24.2	20.9	17.6	14.4	21.0	2.8	21.0	21.0	20.5	17.2	13.9	10.7	
900	77	38.6	2.7	18.8	15.3	11.8	-	-	-	34.3	3.0	19.0	13.8	10.3	-	-	-
	72	34.4	2.7	23.4	19.9	16.5	13.0	-	-	30.0	2.9	21.8	18.3	14.8	11.3	-	-
	67	30.2	2.6	28.1	24.6	21.1	17.6	14.1	-	25.7	2.8	24.7	22.9	19.4	15.9	12.4	-
	62	25.7	2.6	25.7	25.7	25.5	22.0	18.5	15.0	22.1	2.8	22.1	22.1	21.5	18.1	14.6	11.1
57	25.4	2.6	25.4	25.4	25.4	21.9	18.4	14.9	21.4	2.8	21.4	21.4	21.4	18.0	14.5	11.0	
1075	72	35.4	2.8	26.1	22.1	18.0	14.0	-	-	31.1	3.0	24.5	20.4	16.4	12.4	-	-
	67	31.1	2.7	30.0	27.2	23.2	19.2	15.2	-	26.6	2.9	26.1	24.7	21.4	17.4	13.4	-
	62	26.4	2.7	26.4	26.4	26.3	22.3	18.3	14.3	22.8	2.9	22.8	22.8	22.6	18.5	14.5	10.5
	57	26.1	2.7	26.1	26.1	26.1	22.1	18.1	14.1	22.2	2.9	22.2	22.2	22.2	18.2	14.1	10.1
1250	72	36.4	2.9	28.7	24.2	19.6	15.1	-	-	32.1	3.1	27.2	22.6	18.0	13.4	-	-
	67	31.9	2.8	31.9	29.8	25.2	20.7	16.2	-	27.5	3.0	27.5	26.4	23.5	18.9	14.3	-
	62	27.1	2.8	27.1	27.1	27.1	22.6	18.1	13.6	23.6	3.0	23.6	23.6	23.6	19.0	14.4	9.8
	57	26.8	2.8	26.8	26.8	26.8	22.3	17.8	13.3	23.0	3.0	23.0	23.0	23.0	18.4	13.8	9.2

**NM030 (2.5 Ton) (Continued)**

Air on Evaporator Coil		Temperature of Air on Condenser Coil																	
CFM	WB (°F)	Total Capacity <sup>1</sup> (MBh)	Total Input (kW) <sup>2</sup>	Sensible Capacity (MBh)						Total Capacity <sup>1</sup> (MBh)	Total Input (kW) <sup>2</sup>	Sensible Capacity (MBh)							
				Return Dry Bulb (°F)								Return Dry Bulb (°F)							
				90	85	80	75	70	65			90	85	80	75	70	65		
		<b>115°F</b>						<b>125°F</b>											
675	77	29.5	3.1	13.4	10.4	7.6	-	-	-	26.5	3.3	14.2	8.6	6.4	-	-	-		
	72	25.1	3.0	17.1	14.3	11.5	8.7	-	-	21.9	3.2	15.8	13.0	10.2	7.4	-	-		
	67	20.8	2.9	20.8	18.2	15.4	12.6	9.8	-	17.4	3.1	17.4	17.4	14.0	11.2	8.4	-		
	62	18.1	2.8	18.1	18.1	15.3	12.5	9.7	6.9	15.4	3.0	15.4	15.4	12.0	9.2	6.4	3.6		
750	77	29.6	3.1	15.3	11.0	8.0	-	-	-	26.3	3.3	16.3	10.2	6.7	-	-	-		
	72	25.3	3.0	18.1	15.1	12.1	9.0	-	-	21.7	3.2	16.7	13.7	10.7	7.6	-	-		
	67	20.9	2.9	20.9	19.2	16.1	13.1	10.1	-	17.1	3.1	17.1	17.1	14.6	11.6	8.6	-		
	62	18.2	2.9	18.2	18.2	16.1	13.0	10.0	7.0	15.2	3.1	15.2	15.2	12.6	9.6	6.5	3.5		
	57	17.3	2.9	17.3	17.3	16.0	13.0	10.0	6.9	14.0	3.1	14.0	14.0	12.5	9.5	6.5	3.5		
825	77	29.8	3.1	17.3	11.6	8.4	-	-	-	26.0	3.4	18.4	11.9	7.0	-	-	-		
	72	25.5	3.1	19.2	15.9	12.6	9.4	-	-	21.5	3.3	17.6	14.4	11.1	7.9	-	-		
	67	21.1	3.0	21.1	20.2	16.9	13.6	10.4	-	16.9	3.2	16.9	16.9	15.3	12.0	8.8	-		
	62	18.3	2.9	18.3	18.3	16.8	13.6	10.3	7.1	15.0	3.1	15.0	15.0	13.1	9.9	6.6	3.4		
	57	17.4	3.0	17.4	17.4	16.8	13.5	10.3	7.0	13.8	3.2	13.8	13.8	13.1	9.8	6.6	3.3		
900	77	30.0	3.2	19.2	12.3	8.8	-	-	-	25.7	3.4	20.4	13.5	7.3	-	-	-		
	72	25.6	3.1	20.2	16.7	13.2	9.7	-	-	21.2	3.3	18.6	15.1	11.6	8.1	-	-		
	67	21.2	3.0	21.2	21.2	17.7	14.2	10.7	-	16.7	3.2	16.7	16.7	15.9	12.5	9.0	-		
	62	18.5	3.0	18.5	18.5	17.6	14.1	10.6	7.2	14.9	3.2	14.9	14.9	13.7	10.2	6.7	3.2		
	57	17.5	3.0	17.5	17.5	17.5	14.1	10.6	7.1	13.6	3.2	13.6	13.6	13.6	10.2	6.7	3.2		
1075	72	26.8	3.2	22.9	18.8	14.7	10.7	-	-	22.4	3.4	21.3	17.2	13.1	9.0	-	-		
	67	22.1	3.1	22.1	22.1	19.7	15.6	11.5	-	17.7	3.3	17.7	17.7	17.7	13.9	9.7	-		
	62	19.3	3.1	19.3	19.3	18.9	14.8	10.7	6.6	15.7	3.3	15.7	15.7	15.1	11.0	6.9	2.8		
	57	18.3	3.1	18.3	18.3	18.3	14.2	10.2	6.1	14.4	3.3	14.4	14.4	14.4	10.3	6.2	2.1		
1250	72	27.9	3.3	25.6	20.9	16.3	11.6	-	-	23.7	3.6	23.7	19.3	14.6	9.8	-	-		
	67	23.1	3.2	23.1	23.1	21.7	17.1	12.4	-	18.7	3.4	18.7	18.7	18.7	15.2	10.5	-		
	62	20.1	3.2	20.1	20.1	20.1	15.4	10.8	6.1	16.6	3.4	16.6	16.6	16.6	11.8	7.1	2.3		
	57	19.1	3.2	19.1	19.1	19.1	14.4	9.8	5.1	15.3	3.4	15.3	15.3	15.3	10.5	5.7	1.0		

1. These capacities are Net capacities.
2. These ratings include the compressor, condenser fan and supply air blower motors.

**NM036 (3.0 Ton)**

Air on Evaporator Coil		Temperature of Air on Condenser Coil															
CFM	WB (°F)	Total Capacity <sup>1</sup> (MBh)	Total Input (kW) <sup>2</sup>	Sensible Capacity (MBh)						Total Capacity <sup>1</sup> (MBh)	Total Input (kW) <sup>2</sup>	Sensible Capacity (MBh)					
				Return Dry Bulb (°F)								Return Dry Bulb (°F)					
				90	85	80	75	70	65			90	85	80	75	70	65
				<b>75°F</b>						<b>85°F</b>							
750	77	49.2	2.7	22.2	18.5	15.2	-	-	-	45.1	2.9	19.7	16.5	13.2	-	-	-
	72	44.4	2.6	26.7	23.4	20.2	16.9	-	-	40.7	2.8	24.7	21.4	18.2	14.9	-	-
	67	39.7	2.6	31.2	28.4	25.1	21.9	18.6	-	36.3	2.8	29.7	26.4	23.2	19.9	16.6	-
	62	35.0	2.6	35.0	30.9	27.9	24.6	21.4	18.2	32.2	2.8	32.2	28.1	24.9	21.6	18.4	15.1
900	77	50.2	2.7	23.4	19.6	15.8	-	-	-	46.2	2.9	21.5	17.8	14.0	-	-	-
	72	45.4	2.6	28.5	24.7	20.9	17.2	-	-	41.7	2.9	26.8	23.0	19.2	15.4	-	-
	67	40.6	2.6	33.6	29.8	26.0	22.3	18.5	-	37.1	2.8	32.1	28.3	24.5	20.7	16.9	-
	62	35.7	2.6	35.7	32.7	28.9	25.2	21.4	17.6	33.0	2.8	33.0	30.1	26.3	22.5	18.7	14.9
57	32.8	2.6	32.8	32.8	31.8	28.1	24.3	20.5	29.8	2.8	29.8	29.8	28.1	24.3	20.5	16.7	-
1050	77	51.3	2.7	24.6	20.7	16.4	-	-	-	47.3	3.0	23.4	19.0	14.7	-	-	-
	72	46.3	2.7	30.2	26.0	21.7	17.4	-	-	42.6	2.9	28.9	24.6	20.2	15.9	-	-
	67	41.4	2.6	35.9	31.2	26.9	22.6	18.3	-	38.0	2.9	34.5	30.1	25.8	21.4	17.1	-
	62	36.5	2.6	36.5	34.5	30.0	25.7	21.4	17.1	33.7	2.9	33.7	30.0	27.7	23.3	19.0	14.7
57	33.5	2.6	33.5	33.5	33.0	28.7	24.4	20.1	30.4	2.9	30.4	32.0	29.6	25.3	20.9	16.6	-
1200	77	52.3	2.7	25.8	21.8	17.0	-	-	-	48.3	3.0	25.2	20.3	15.4	-	-	-
	72	47.3	2.7	32.0	27.2	22.4	17.6	-	-	43.6	3.0	31.0	26.1	21.3	16.4	-	-
	67	42.3	2.7	38.3	32.6	27.8	23.0	18.2	-	38.8	2.9	36.9	32.0	27.1	22.2	17.3	-
	62	37.2	2.7	37.2	36.2	31.0	26.2	21.4	16.6	34.5	2.9	34.5	34.0	29.1	24.2	19.3	14.4
57	34.2	2.7	34.2	34.2	34.2	29.4	24.6	19.8	31.1	2.9	31.1	31.1	31.1	26.2	21.3	16.4	-
1350	72	48.9	2.8	34.7	29.4	24.2	18.9	-	-	44.8	3.0	33.5	28.2	22.8	17.4	-	-
	67	43.7	2.7	41.7	35.3	30.0	24.7	19.5	-	39.9	3.0	38.9	34.4	29.0	23.6	18.2	-
	62	38.5	2.7	38.5	38.0	33.4	28.2	22.9	17.6	35.4	3.0	35.4	35.2	31.2	25.8	20.4	15.0
	57	35.3	2.7	35.3	35.3	35.3	30.1	24.8	19.5	32.0	3.0	32.0	32.0	32.0	26.6	21.2	15.8
1500	72	50.4	2.9	37.4	31.6	25.9	20.2	-	-	46.0	3.1	36.1	30.2	24.3	18.4	-	-
	67	45.1	2.8	45.1	37.9	32.2	26.5	20.7	-	41.0	3.1	41.0	36.8	30.9	25.0	19.2	-
	62	39.7	2.8	39.7	39.7	35.8	30.1	24.4	18.7	36.4	3.0	36.4	36.4	33.2	27.3	21.5	15.6
	57	36.5	2.8	36.5	36.5	36.5	30.7	25.0	19.3	32.8	3.0	32.8	32.8	32.8	26.9	21.0	15.2
				<b>95°F</b>						<b>105°F</b>							
750	77	41.1	3.1	17.3	14.4	11.2	-	-	-	37.5	3.4	21.1	17.5	14.3	-	-	-
	72	37.0	3.1	22.7	19.4	16.2	12.9	-	-	33.3	3.3	24.0	20.7	17.5	14.3	-	-
	67	32.8	3.0	28.1	24.5	21.2	17.9	14.7	-	29.2	3.2	26.8	24.0	20.8	17.5	14.3	-
	62	29.4	3.0	29.4	25.3	21.9	18.6	15.3	12.1	25.5	3.2	25.5	23.5	21.5	18.2	15.0	11.8
900	77	42.2	3.2	19.7	15.9	12.1	-	-	-	38.3	3.4	22.7	18.2	14.5	-	-	-
	72	37.9	3.1	25.1	21.3	17.5	13.7	-	-	34.1	3.4	25.5	21.7	17.9	14.1	-	-
	67	33.7	3.1	30.6	26.7	22.9	19.1	15.3	-	29.8	3.3	28.2	25.1	21.3	17.5	13.7	-
	62	30.2	3.0	30.2	27.5	23.6	19.8	16.0	12.2	26.1	3.3	26.1	24.7	22.0	18.2	14.4	10.6
57	26.7	3.0	26.7	26.7	24.4	20.5	16.7	12.9	22.9	3.3	22.9	22.9	21.7	17.9	14.1	10.3	
1050	77	43.3	3.2	22.2	17.4	13.0	-	-	-	39.2	3.5	24.3	19.0	14.6	-	-	-
	72	38.9	3.2	27.6	23.2	18.8	14.4	-	-	34.8	3.4	27.0	22.6	18.2	13.9	-	-
	67	34.6	3.1	33.0	29.0	24.6	20.2	15.8	-	30.5	3.4	29.7	26.2	21.8	17.5	13.1	-
	62	31.0	3.1	31.0	29.6	25.4	21.0	16.6	12.2	26.7	3.3	26.7	26.0	22.6	18.2	13.8	9.5
57	27.4	3.1	27.4	27.4	26.2	21.8	17.4	13.0	23.4	3.3	23.4	23.4	22.8	18.4	14.0	9.7	
1200	77	44.3	3.3	24.6	18.8	13.9	-	-	-	40.0	3.6	25.8	19.7	14.8	-	-	-
	72	39.9	3.2	30.0	25.1	20.1	15.2	-	-	35.6	3.5	28.5	23.5	18.6	13.6	-	-
	67	35.4	3.2	35.4	31.3	26.3	21.4	16.4	-	31.1	3.4	31.1	27.3	22.4	17.4	12.5	-
	62	31.7	3.2	31.7	31.7	27.2	22.2	17.3	12.3	27.3	3.4	27.3	27.3	23.1	18.2	13.2	8.3
57	28.0	3.2	28.0	28.0	28.0	23.1	18.1	13.1	23.9	3.4	23.9	23.9	23.9	18.9	14.0	9.0	
1350	72	40.7	3.3	32.4	26.9	21.4	15.9	-	-	36.3	3.6	31.1	26.6	21.1	15.5	-	-
	67	36.1	3.3	36.1	33.5	28.0	22.5	17.0	-	31.8	3.5	31.8	29.6	25.2	19.7	14.2	-
	62	32.4	3.2	32.4	32.4	28.9	23.4	17.9	12.4	27.8	3.5	27.8	27.8	25.1	19.6	14.1	8.6
	57	28.6	3.2	28.6	28.6	28.6	23.1	17.6	12.1	24.4	3.5	24.4	24.4	24.4	18.9	13.4	7.8
1500	72	41.5	3.4	34.8	28.7	22.7	16.6	-	-	37.1	3.6	33.7	29.6	23.5	17.5	-	-
	67	36.9	3.3	36.9	35.7	29.7	23.6	17.6	-	32.4	3.6	32.4	31.9	28.0	21.9	15.9	-
	62	33.0	3.3	33.0	33.0	30.6	24.6	18.5	12.5	28.4	3.5	28.4	28.4	27.2	21.1	15.0	9.0
	57	29.2	3.3	29.2	29.2	29.2	23.1	17.1	11.0	24.9	3.5	24.9	24.9	24.9	18.8	12.7	6.7

## NM036 (3.0 Ton) (Continued)

Air on Evaporator Coil		Temperature of Air on Condenser Coil															
CFM	WB (°F)	Total Capacity <sup>1</sup> (MBh)	Total Input (kW) <sup>2</sup>	Sensible Capacity (MBh)						Total Capacity <sup>1</sup> (MBh)	Total Input (kW) <sup>2</sup>	Sensible Capacity (MBh)					
				Return Dry Bulb (°F)								Return Dry Bulb (°F)					
				90	85	80	75	70	65			90	85	80	75	70	65
				115°F								125°F					
750	77	33.9	3.7	25.0	20.6	17.4	-	-	-	30.3	4.0	31.2	23.6	20.5	-	-	-
	72	29.7	3.6	25.2	22.0	18.9	15.7	-	-	26.0	3.8	26.5	23.4	20.2	17.1	-	-
	67	25.5	3.5	25.5	23.5	20.3	17.2	14.0	-	21.8	3.7	21.8	23.1	19.9	16.8	13.6	-
	62	21.6	3.4	21.6	21.6	21.1	17.9	14.7	11.5	17.7	3.7	17.7	17.7	18.9	17.5	14.4	11.3
900	77	34.5	3.7	25.7	20.6	16.8	-	-	-	30.7	4.0	30.2	22.9	19.2	-	-	-
	72	30.2	3.6	25.8	22.0	18.3	14.5	-	-	26.4	3.9	26.1	22.4	18.6	14.9	-	-
	67	25.9	3.5	25.9	23.5	19.7	15.9	12.2	-	22.0	3.8	22.0	21.8	18.1	14.3	10.6	-
	62	22.0	3.5	22.0	22.0	20.4	16.6	12.9	9.1	17.9	3.7	17.9	17.9	17.9	15.0	11.3	7.6
57	19.1	3.5	19.1	19.1	19.1	15.3	11.5	7.8	15.2	3.7	15.2	15.2	15.2	12.7	8.9	5.2	
1050	77	35.1	3.8	26.3	20.6	16.3	-	-	-	31.0	4.1	29.2	22.2	17.9	-	-	-
	72	30.7	3.7	26.4	22.0	17.7	13.3	-	-	26.7	4.0	25.7	21.4	17.1	12.7	-	-
	67	26.4	3.6	26.4	23.4	19.0	14.7	10.3	-	22.3	3.8	22.3	20.6	16.2	11.9	7.6	-
	62	22.4	3.6	22.4	22.4	19.7	15.4	11.0	6.7	18.1	3.8	18.1	18.1	16.9	12.6	8.2	3.9
57	19.4	3.6	19.4	19.4	19.4	15.0	10.7	6.3	15.4	3.8	15.4	15.4	15.4	11.7	7.3	3.0	
1200	77	35.7	3.9	27.0	20.6	15.7	-	-	-	31.4	4.2	28.2	21.5	16.6	-	-	-
	72	31.3	3.8	26.9	22.0	17.0	12.1	-	-	27.0	4.0	25.4	20.4	15.5	10.6	-	-
	67	26.8	3.7	26.8	23.3	18.4	13.4	8.5	-	22.5	3.9	22.5	19.3	14.4	9.5	4.6	-
	62	22.8	3.6	22.8	22.8	19.0	14.1	9.2	4.2	18.3	3.9	18.3	18.3	15.0	10.1	5.1	0.2
57	19.7	3.6	19.7	19.7	19.7	14.8	9.8	4.9	15.6	3.9	15.6	15.6	15.6	10.6	5.7	0.8	
1350	72	31.9	3.8	29.8	26.2	20.7	15.2	-	-	27.6	4.1	27.6	25.9	20.4	14.9	-	-
	67	27.4	3.7	27.4	25.6	22.3	16.8	11.3	-	23.0	4.0	23.0	21.7	19.5	14.0	8.5	-
	62	23.3	3.7	23.3	23.3	21.4	15.9	10.4	4.9	18.7	3.9	18.7	18.7	17.6	12.1	6.6	1.1
	57	20.1	3.7	20.1	20.1	20.1	14.6	9.1	3.6	15.9	3.9	15.9	15.9	15.9	10.4	4.9	-0.6
1500	72	32.6	3.9	32.6	30.5	24.4	18.3	-	-	28.2	4.2	28.2	28.2	25.3	19.2	-	-
	67	28.0	3.8	28.0	28.0	26.3	20.2	14.2	-	23.5	4.0	23.5	23.5	23.5	18.5	12.4	-
	62	23.7	3.8	23.7	23.7	23.7	17.7	11.6	5.5	19.1	4.0	19.1	19.1	19.1	14.2	8.1	2.0
	57	20.6	3.8	20.6	20.6	20.6	14.5	8.4	2.3	16.3	4.0	16.3	16.3	16.3	10.2	4.1	-2.0

1. These capacities are Net capacities.

2. These ratings include the compressor, condenser fan and supply air blower motors.

**NM042 (3.5 Ton)**

Air on Evaporator Coil		Temperature of Air on Condenser Coil															
CFM	WB (°F)	Total Capacity <sup>1</sup> (MBh)	Total Input (kW) <sup>2</sup>	Sensible Capacity (MBh)						Total Capacity <sup>1</sup> (MBh)	Total Input (kW) <sup>2</sup>	Sensible Capacity (MBh)					
				Return Dry Bulb (°F)								Return Dry Bulb (°F)					
				90	85	80	75	70	65			90	85	80	75	70	65
				<b>75°F</b>						<b>85°F</b>							
975	77	53.1	3.2	22.7	18.8	15.0	-	-	-	48.8	3.6	21.3	17.5	13.7	-	-	-
	72	49.2	3.2	28.6	24.8	20.9	17.1	-	-	45.2	3.5	27.2	23.4	19.5	15.7	-	-
	67	45.4	3.1	34.6	30.7	26.8	23.0	19.1	-	41.6	3.4	33.1	29.2	25.4	21.5	17.7	-
	62	40.0	3.0	40.0	40.0	34.9	31.0	27.2	23.3	36.7	3.3	36.7	35.4	30.5	26.7	22.8	19.0
1050	77	53.9	3.2	24.2	20.0	15.8	-	-	-	49.7	3.6	22.7	18.6	14.5	-	-	-
	72	50.0	3.2	30.4	26.3	22.1	17.9	-	-	46.0	3.5	28.9	24.8	20.7	16.6	-	-
	67	46.0	3.1	36.7	32.5	28.4	24.2	20.0	-	42.3	3.4	35.1	31.0	26.9	22.8	18.7	-
	62	40.6	3.1	40.6	40.6	36.9	32.7	28.6	24.4	37.4	3.3	37.4	36.5	32.4	28.2	24.1	20.0
57	38.6	3.0	38.6	38.6	35.8	31.7	27.5	23.3	35.5	3.3	35.5	35.5	33.0	28.9	24.8	20.7	
1125	77	54.7	3.3	25.7	21.2	16.7	-	-	-	50.5	3.6	24.0	19.7	15.3	-	-	-
	72	50.7	3.2	32.3	27.8	23.3	18.8	-	-	46.8	3.5	30.6	26.2	21.9	17.5	-	-
	67	46.7	3.1	38.9	34.4	29.9	25.4	20.9	-	43.1	3.4	37.2	32.8	28.4	24.1	19.7	-
	62	41.2	3.1	41.2	41.2	38.9	34.4	29.9	25.5	38.0	3.4	38.0	37.6	34.2	29.8	25.4	21.1
57	39.1	3.1	39.1	39.1	37.8	33.3	28.8	24.3	36.1	3.3	36.1	36.1	34.9	30.5	26.1	21.7	
1200	77	55.4	3.3	27.1	22.3	17.5	-	-	-	51.4	3.6	25.4	20.8	16.1	-	-	-
	72	51.4	3.2	34.1	29.3	24.5	19.7	-	-	47.6	3.5	32.3	27.7	23.0	18.4	-	-
	67	47.3	3.2	41.0	36.2	31.4	26.6	21.8	-	43.8	3.4	39.2	34.6	29.9	25.3	20.7	-
	62	41.8	3.1	41.8	41.8	40.9	36.1	31.3	26.5	38.7	3.4	38.7	38.7	36.0	31.4	26.7	22.1
57	39.7	3.1	39.7	39.7	39.7	34.9	30.1	25.3	36.7	3.3	36.7	36.7	36.7	32.1	27.4	22.8	
1350	72	51.6	3.3	36.0	30.8	25.6	20.4	-	-	47.9	3.6	34.6	29.4	24.2	19.1	-	-
	67	47.5	3.2	44.4	38.0	32.8	27.6	22.4	-	44.1	3.5	41.8	36.7	31.5	26.4	21.2	-
	62	42.0	3.2	42.0	42.0	42.0	36.9	31.7	26.5	38.9	3.4	38.9	38.9	37.6	32.4	27.2	22.1
	57	39.9	3.1	39.9	39.9	39.9	34.7	29.4	24.2	36.9	3.4	36.9	36.9	36.9	31.8	26.6	21.5
1500	72	51.8	3.3	37.9	32.3	26.7	21.1	-	-	48.2	3.6	36.8	31.1	25.4	19.8	-	-
	67	47.7	3.3	47.7	39.9	34.2	28.6	23.0	-	44.3	3.5	44.3	38.8	33.1	27.4	21.7	-
	62	42.1	3.2	42.1	42.1	42.1	37.7	32.1	26.5	39.1	3.5	39.1	39.1	39.1	33.4	27.8	22.1
	57	40.0	3.2	40.0	40.0	40.0	34.4	28.8	23.2	37.2	3.4	37.2	37.2	37.2	31.5	25.8	20.1
				<b>95°F</b>						<b>105°F</b>							
975	77	44.5	3.9	20.0	16.2	12.3	-	-	-	41.1	4.3	18.2	15.0	11.2	-	-	-
	72	41.2	3.8	25.8	22.0	18.1	14.3	-	-	37.4	4.1	24.4	20.6	16.7	12.9	-	-
	67	37.8	3.7	31.6	27.8	23.9	20.1	16.3	-	33.8	4.0	30.6	26.2	22.3	18.5	14.6	-
	62	33.4	3.6	33.4	30.0	26.2	22.3	18.5	14.7	29.8	3.9	29.8	28.1	23.5	19.7	15.9	12.0
1050	77	45.5	3.9	21.2	17.2	13.1	-	-	-	41.9	4.3	20.3	16.0	12.0	-	-	-
	72	42.1	3.8	27.4	23.3	19.3	15.2	-	-	38.2	4.1	26.1	22.0	17.9	13.8	-	-
	67	38.6	3.7	33.5	29.5	25.4	21.4	17.4	-	34.4	4.0	31.9	28.0	23.9	19.8	15.7	-
	62	34.1	3.6	34.1	31.9	27.8	23.8	19.7	15.7	30.3	3.9	30.3	29.2	25.2	21.1	17.0	12.9
57	32.4	3.6	32.4	32.4	30.2	26.1	22.1	18.0	28.8	3.9	28.8	28.8	26.5	22.4	18.3	14.2	
1125	77	46.4	3.9	22.4	18.2	13.9	-	-	-	42.7	4.3	22.4	17.1	12.7	-	-	-
	72	42.9	3.8	29.0	24.7	20.4	16.2	-	-	38.9	4.1	27.7	23.4	19.1	14.8	-	-
	67	39.4	3.7	35.5	31.2	27.0	22.7	18.4	-	35.1	4.0	33.1	29.8	25.5	21.1	16.8	-
	62	34.8	3.6	34.8	33.7	29.5	25.2	20.9	16.7	30.9	3.9	30.9	30.4	26.8	22.5	18.2	13.9
57	33.1	3.6	33.1	33.1	32.0	27.7	23.4	19.2	29.4	3.9	29.4	29.4	28.2	23.9	19.6	15.2	
1200	77	47.4	4.0	23.6	19.2	14.7	-	-	-	43.5	4.3	24.5	18.1	13.5	-	-	-
	72	43.8	3.8	30.5	26.1	21.6	17.1	-	-	39.6	4.2	29.4	24.8	20.3	15.7	-	-
	67	40.2	3.7	37.4	33.0	28.5	24.0	19.5	-	35.7	4.0	34.3	31.6	27.0	22.4	17.9	-
	62	35.5	3.6	35.5	35.5	31.1	26.6	22.2	17.7	31.5	3.9	31.5	31.5	28.5	23.9	19.3	14.8
57	33.8	3.6	33.8	33.8	33.8	29.3	24.8	20.3	29.9	3.9	29.9	29.9	29.9	25.4	20.8	16.2	
1350	72	44.2	3.9	33.1	28.0	22.9	17.8	-	-	40.0	4.2	31.8	26.6	21.5	16.3	-	-
	67	40.6	3.8	39.2	35.3	30.2	25.1	20.0	-	36.1	4.1	35.4	33.2	28.6	23.5	18.3	-
	62	35.8	3.7	35.8	35.8	33.0	27.9	22.8	17.7	31.8	3.9	31.8	31.8	30.0	24.8	19.7	14.5
	57	34.0	3.7	34.0	34.0	34.0	28.9	23.8	18.7	30.2	4.0	30.2	30.2	30.2	25.0	19.9	14.7
1500	72	44.5	3.9	35.7	30.0	24.2	18.5	-	-	40.3	4.3	34.2	28.5	22.7	17.0	-	-
	67	40.9	3.8	40.9	37.7	31.9	26.2	20.5	-	36.4	4.1	36.4	34.8	30.3	24.5	18.8	-
	62	36.1	3.7	36.1	36.1	34.9	29.2	23.4	17.7	32.1	4.0	32.1	32.1	31.4	25.7	20.0	14.2
	57	34.3	3.7	34.3	34.3	34.3	28.6	22.8	17.1	30.4	4.0	30.4	30.4	30.4	24.7	19.0	13.2

## NM042 (3.5 Ton) (Continued)

Air on Evaporator Coil		Temperature of Air on Condenser Coil																
CFM	WB (°F)	Total Capacity <sup>1</sup> (MBh)	Total Input (kW) <sup>2</sup>	Sensible Capacity (MBh)							Total Capacity <sup>1</sup> (MBh)	Total Input (kW) <sup>2</sup>	Sensible Capacity (MBh)					
				Return Dry Bulb (°F)									Return Dry Bulb (°F)					
				90	85	80	75	70	65	90			85	80	75	70	65	
		115°F							125°F									
975	77	37.6	4.6	16.4	13.8	10.0	-	-	-	34.2	5.0	17.7	11.6	8.8	-	-	-	
	72	33.7	4.4	23.0	19.2	15.4	11.5	-	-	29.9	4.7	21.7	17.8	14.0	10.1	-	-	
	67	29.7	4.2	29.7	24.6	20.7	16.9	13.0	-	25.6	4.5	25.6	23.5	19.1	15.2	11.4	-	
	62	26.1	4.1	26.1	26.1	20.9	17.1	13.2	9.4	22.5	4.4	22.5	22.5	18.3	14.5	10.6	6.8	
1050	77	38.3	4.6	19.3	14.9	10.8	-	-	-	34.7	5.0	21.0	13.8	9.6	-	-	-	
	72	34.2	4.5	24.8	20.7	16.6	12.4	-	-	30.3	4.8	23.5	19.3	15.2	11.0	-	-	
	67	30.2	4.3	30.2	26.4	22.3	18.2	14.1	-	26.0	4.5	26.0	24.9	20.8	16.6	12.5	-	
	62	26.6	4.1	26.6	26.6	22.6	18.4	14.3	10.2	22.8	4.4	22.8	22.8	19.9	15.8	11.6	7.5	
57	25.2	4.2	25.2	25.2	22.8	18.7	14.6	10.4	21.6	4.5	21.6	21.6	19.1	15.0	10.8	6.7		
1125	77	38.9	4.7	22.3	15.9	11.6	-	-	-	35.2	5.0	24.2	15.9	10.4	-	-	-	
	72	34.8	4.5	26.5	22.1	17.7	13.4	-	-	30.8	4.8	25.3	20.9	16.4	12.0	-	-	
	67	30.7	4.3	30.7	28.3	23.9	19.6	15.2	-	26.4	4.6	26.4	26.4	22.4	18.0	13.5	-	
	62	27.0	4.1	27.0	27.0	24.2	19.8	15.4	11.0	23.1	4.4	23.1	23.1	21.6	17.1	12.7	8.2	
57	25.7	4.2	25.7	25.7	24.4	20.1	15.7	11.3	22.0	4.5	22.0	22.0	20.7	16.2	11.8	7.3		
1200	77	39.6	4.7	25.3	17.0	12.3	-	-	-	35.7	5.0	27.5	18.0	11.2	-	-	-	
	72	35.4	4.5	28.3	23.6	18.9	14.3	-	-	31.2	4.8	27.1	22.4	17.6	12.9	-	-	
	67	31.2	4.3	31.2	30.2	25.6	20.9	16.2	-	26.7	4.6	26.7	26.7	24.1	19.4	14.6	-	
	62	27.5	4.2	27.5	27.5	25.8	21.2	16.5	11.9	23.4	4.4	23.4	23.4	23.2	18.4	13.7	9.0	
57	26.1	4.2	26.1	26.1	26.1	21.4	16.8	12.1	22.3	4.5	22.3	22.3	22.3	17.5	12.8	8.0		
1350	72	35.8	4.5	30.5	25.3	20.1	14.9	-	-	31.5	4.8	29.2	23.9	18.7	13.4	-	-	
	67	31.5	4.3	31.5	31.0	27.1	21.9	16.7	-	27.0	4.6	27.0	27.0	25.5	20.3	15.1	-	
	62	27.7	4.2	27.7	27.7	26.9	21.7	16.5	11.3	23.7	4.5	23.7	23.7	23.7	18.6	13.4	8.1	
	57	26.3	4.2	26.3	26.3	26.3	21.1	15.9	10.8	22.5	4.5	22.5	22.5	22.5	17.3	12.0	6.8	
1500	72	36.1	4.6	32.7	27.0	21.2	15.5	-	-	31.9	4.9	31.2	25.5	19.7	14.0	-	-	
	67	31.8	4.4	31.8	31.8	28.6	22.9	17.1	-	27.3	4.7	27.3	27.3	27.0	21.2	15.5	-	
	62	28.0	4.2	28.0	28.0	28.0	22.3	16.5	10.8	23.9	4.5	23.9	23.9	23.9	18.8	13.1	7.3	
	57	26.6	4.3	26.6	26.6	26.6	20.9	15.1	9.4	22.7	4.6	22.7	22.7	22.7	17.0	11.3	5.5	

1. These capacities are Net capacities.

2. These ratings include the compressor, condenser fan and supply air blower motors.



**NM048 (4.0 Ton)**

Air on Evaporator Coil		Temperature of Air on Condenser Coil															
CFM	WB (°F)	Total Capacity <sup>1</sup> (MBh)	Total Input (kW) <sup>2</sup>	Sensible Capacity (MBh)						Total Capacity <sup>1</sup> (MBh)	Total Input (kW) <sup>2</sup>	Sensible Capacity (MBh)					
				Return Dry Bulb (°F)								Return Dry Bulb (°F)					
				90	85	80	75	70	65			90	85	80	75	70	65
				<b>75°F</b>						<b>85°F</b>							
1000	77	61.4	3.2	25.2	21.3	17.3	-	-	-	56.5	3.4	23.8	19.8	15.8	-	-	-
	72	56.9	3.1	32.1	28.1	24.2	20.2	-	-	52.3	3.4	30.6	26.6	22.6	18.5	-	-
	67	52.4	3.0	38.9	35.0	31.0	27.1	23.1	-	48.1	3.3	37.4	33.3	29.3	25.3	21.3	-
	62	46.3	3.1	46.3	46.2	40.3	36.4	32.4	28.5	42.4	3.3	42.4	40.3	35.3	31.3	27.2	23.2
1200	77	62.3	3.4	26.9	22.6	18.3	-	-	-	57.4	3.6	25.5	21.1	16.7	-	-	-
	72	57.8	3.3	34.1	29.8	25.5	21.2	-	-	53.2	3.6	32.7	28.3	23.9	19.5	-	-
	67	53.2	3.2	41.4	37.1	32.8	28.5	24.2	-	48.9	3.5	39.9	35.5	31.1	26.7	22.3	-
	62	47.0	3.3	47.0	46.9	42.6	38.3	34.0	29.7	43.2	3.5	43.2	41.8	37.4	33.0	28.6	24.2
1400	77	63.2	3.5	28.6	23.9	19.3	-	-	-	58.4	3.8	27.2	22.4	17.7	-	-	-
	72	58.6	3.5	36.2	31.5	26.9	22.3	-	-	54.1	3.8	34.8	30.0	25.3	20.5	-	-
	67	54.0	3.4	43.8	39.2	34.5	29.9	25.2	-	49.8	3.7	42.4	37.6	32.8	28.1	23.3	-
	62	47.6	3.5	47.6	47.6	44.9	40.3	35.6	31.0	43.9	3.7	43.9	43.2	39.5	34.7	29.9	25.2
1600	77	64.1	3.7	30.3	25.3	20.3	-	-	-	59.4	4.0	28.9	23.8	18.6	-	-	-
	72	59.4	3.6	38.3	33.3	28.3	23.3	-	-	55.0	3.9	36.9	31.8	26.6	21.4	-	-
	67	54.7	3.5	46.3	41.3	36.3	31.3	26.3	-	50.6	3.9	44.9	39.8	34.6	29.4	24.3	-
	62	48.3	3.6	48.3	48.3	47.2	42.3	37.3	32.3	44.7	3.9	44.7	44.7	41.6	36.4	31.3	26.1
1800	72	59.7	3.8	40.3	34.9	29.6	24.2	-	-	55.4	4.1	39.1	33.6	28.0	22.4	-	-
	67	55.0	3.7	49.7	43.3	37.9	32.5	27.2	-	50.9	4.0	47.5	42.0	36.4	30.8	25.3	-
	62	48.5	3.8	48.5	48.5	48.5	43.3	38.0	32.6	45.0	4.0	45.0	45.0	43.4	37.9	32.3	26.7
	57	46.1	3.6	46.1	46.1	46.1	40.7	35.3	30.0	42.7	3.9	42.7	42.7	42.7	37.1	31.6	26.0
2000	72	59.9	3.9	42.3	36.6	30.8	25.1	-	-	55.7	4.2	41.4	35.4	29.4	23.4	-	-
	67	55.2	3.8	53.1	45.3	39.6	33.8	28.1	-	51.3	4.1	50.2	44.2	38.2	32.2	26.3	-
	62	48.7	3.9	48.7	48.7	48.7	44.4	38.7	32.9	45.2	4.1	45.2	45.2	45.2	39.3	33.3	27.3
	57	46.3	3.8	46.3	46.3	46.3	40.5	34.8	29.0	43.0	4.0	43.0	43.0	43.0	37.0	31.0	25.0
				<b>95°F</b>						<b>105°F</b>							
1000	77	51.5	3.7	22.4	18.3	14.3	-	-	-	47.5	4.1	20.1	17.0	12.9	-	-	-
	72	47.6	3.6	29.1	25.0	21.0	16.9	-	-	43.3	4.0	27.6	23.5	19.3	15.2	-	-
	67	43.7	3.6	35.8	31.7	27.6	23.6	19.5	-	39.0	3.9	35.1	29.9	25.8	21.7	17.5	-
	62	38.6	3.5	38.6	34.4	30.2	26.1	22.0	18.0	34.4	3.8	34.4	32.3	28.0	23.8	19.7	15.6
1200	77	52.6	3.9	24.2	19.7	15.2	-	-	-	48.4	4.3	23.0	18.4	13.8	-	-	-
	72	48.6	3.8	31.3	26.8	22.3	17.8	-	-	44.1	4.2	29.8	25.3	20.7	16.1	-	-
	67	44.7	3.8	38.4	33.9	29.4	24.9	20.4	-	39.8	4.1	36.7	32.2	27.6	23.0	18.4	-
	62	39.4	3.7	39.4	36.6	32.1	27.6	23.1	18.6	35.1	4.0	35.1	33.7	29.9	25.3	20.8	16.2
1400	77	53.7	4.1	25.9	21.0	16.1	-	-	-	49.3	4.5	25.9	19.7	14.7	-	-	-
	72	49.6	4.0	33.4	28.5	23.6	18.7	-	-	45.0	4.4	32.1	27.1	22.1	17.0	-	-
	67	45.6	4.0	41.0	36.1	31.1	26.2	21.3	-	40.6	4.3	38.2	34.4	29.4	24.4	19.4	-
	62	40.3	3.9	40.3	38.8	34.0	29.1	24.2	19.3	35.7	4.2	35.7	35.0	31.9	26.9	21.9	16.8
1600	77	54.8	4.3	27.6	22.3	17.0	-	-	-	50.3	4.7	28.8	21.1	15.6	-	-	-
	72	50.7	4.2	35.6	30.3	24.9	19.6	-	-	45.8	4.6	34.3	28.9	23.4	18.0	-	-
	67	46.5	4.2	43.5	38.2	32.9	27.6	22.3	-	41.3	4.5	39.8	36.7	31.2	25.8	20.3	-
	62	41.1	4.1	41.1	41.1	35.9	30.6	25.3	20.0	36.4	4.4	36.4	36.4	33.8	28.4	22.9	17.5
1800	72	51.1	4.4	38.0	32.2	26.5	20.7	-	-	46.2	4.7	36.7	30.7	24.8	18.9	-	-
	67	46.9	4.3	45.4	40.7	34.9	29.1	23.4	-	41.7	4.6	40.9	38.3	33.1	27.2	21.3	-
	62	41.4	4.2	41.4	41.4	38.1	32.4	26.6	20.8	36.7	4.5	36.7	36.7	35.1	29.2	23.3	17.3
	57	39.3	4.2	39.3	39.3	39.3	33.6	27.8	22.0	34.9	4.5	34.9	34.9	34.9	29.0	23.1	17.1
2000	72	51.5	4.5	40.4	34.2	28.0	21.8	-	-	46.6	4.8	39.0	32.6	26.2	19.9	-	-
	67	47.3	4.4	47.3	43.1	36.9	30.7	24.5	-	42.1	4.7	42.1	40.0	35.0	28.6	22.2	-
	62	41.8	4.3	41.8	41.8	40.3	34.1	27.9	21.7	37.1	4.6	37.1	37.1	36.3	30.0	23.6	17.2
	57	39.7	4.3	39.7	39.7	39.7	33.5	27.2	21.0	35.2	4.6	35.2	35.2	35.2	28.8	22.4	16.1

## NM048 (4.0 Ton) (Continued)

Air on Evaporator Coil		Temperature of Air on Condenser Coil																	
CFM	WB (°F)	Total Capacity <sup>1</sup> (MBh)	Total Input (kW) <sup>2</sup>	Sensible Capacity (MBh)						Total Capacity <sup>1</sup> (MBh)	Total Input (kW) <sup>2</sup>	Sensible Capacity (MBh)							
				Return Dry Bulb (°F)								Return Dry Bulb (°F)							
				90	85	80	75	70	65			90	85	80	75	70	65		
				115°F										125°F					
1000	77	43.5	4.4	17.9	15.7	11.6	-	-	-	39.5	4.8	19.5	13.1	10.2	-	-	-		
	72	38.9	4.3	26.1	21.9	17.7	13.6	-	-	34.6	4.6	24.6	20.4	16.1	11.9	-	-		
	67	34.3	4.1	34.3	28.1	23.9	19.7	15.6	-	29.6	4.4	29.6	26.9	22.1	17.8	13.6	-		
	62	30.2	4.1	30.2	30.2	25.7	21.5	17.4	13.2	26.0	4.3	26.0	26.0	24.3	19.2	15.0	10.8		
1200	77	44.3	4.6	21.9	17.1	12.5	-	-	-	40.1	5.0	23.9	15.8	11.1	-	-	-		
	72	39.6	4.5	28.4	23.8	19.1	14.5	-	-	35.1	4.8	27.0	22.3	17.5	12.8	-	-		
	67	34.9	4.3	34.9	30.4	25.8	21.1	16.5	-	30.1	4.6	30.1	28.7	24.0	19.3	14.5	-		
	62	30.7	4.2	30.7	30.7	27.7	23.1	18.4	13.8	26.3	4.5	26.3	26.3	25.5	20.8	16.1	11.3		
57	29.2	4.3	29.2	29.2	26.3	21.7	17.0	12.4	25.0	4.6	25.0	25.0	22.1	17.3	12.6	7.9			
1400	77	45.0	4.8	25.9	18.5	13.4	-	-	-	40.7	5.2	28.3	18.5	12.0	-	-	-		
	72	40.3	4.7	30.7	25.6	20.5	15.4	-	-	35.6	5.0	29.4	24.2	19.0	13.7	-	-		
	67	35.5	4.5	35.5	32.8	27.7	22.5	17.4	-	30.5	4.8	30.5	30.5	25.9	20.7	15.5	-		
	62	31.2	4.4	31.2	31.2	29.7	24.6	19.5	14.4	26.7	4.7	26.7	26.7	22.3	17.1	11.9	-		
57	29.7	4.5	29.7	29.7	28.2	23.1	18.0	12.9	25.4	4.8	25.4	25.4	23.9	18.7	13.5	8.2			
1600	77	45.8	5.0	30.0	19.8	14.3	-	-	-	41.3	5.4	32.7	21.3	12.9	-	-	-		
	72	40.9	4.9	33.1	27.5	21.9	16.3	-	-	36.1	5.2	31.8	26.1	20.4	14.6	-	-		
	67	36.1	4.7	36.1	35.1	29.5	23.9	18.4	-	30.9	5.0	30.9	30.9	27.8	22.1	16.4	-		
	62	31.8	4.6	31.8	31.8	31.7	26.1	20.6	15.0	27.1	4.9	27.1	27.1	27.1	23.9	18.2	12.5		
57	30.2	4.7	30.2	30.2	30.1	24.6	19.0	13.4	25.7	4.9	25.7	25.7	25.7	20.0	14.3	8.6			
1800	72	41.3	5.0	35.3	29.3	23.2	17.1	-	-	36.5	5.4	34.0	27.8	21.6	15.4	-	-		
	67	36.5	4.9	36.5	36.0	31.3	25.2	19.2	-	31.2	5.2	31.2	31.2	29.5	23.3	17.0	-		
	62	32.1	4.8	32.1	32.1	32.0	26.0	19.9	13.8	27.4	5.0	27.4	27.4	27.4	22.8	16.6	10.3		
	57	30.5	4.8	30.5	30.5	30.4	24.4	18.3	12.2	26.0	5.1	26.0	26.0	26.0	19.8	13.6	7.3		
2000	72	41.7	5.2	37.6	31.1	24.5	18.0	-	-	36.9	5.5	36.2	29.5	22.8	16.1	-	-		
	67	36.8	5.0	36.8	36.8	33.1	26.5	20.0	-	31.6	5.3	31.6	31.6	31.1	24.4	17.7	-		
	62	32.4	4.9	32.4	32.4	32.4	25.8	19.3	12.7	27.7	5.2	27.7	27.7	27.7	21.7	14.9	8.2		
	57	30.7	4.9	30.7	30.7	30.7	24.2	17.6	11.1	26.3	5.2	26.3	26.3	26.3	19.6	12.8	6.1		

1. These capacities are Net capacities.

2. These ratings include the compressor, condenser fan and supply air blower motors.

**NM060 (5.0 Ton)**

Air on Evaporator Coil		Temperature of Air on Condenser Coil															
CFM	WB (°F)	Total Capacity <sup>1</sup> (MBh)	Total Input (kW) <sup>2</sup>	Sensible Capacity (MBh)						Total Capacity <sup>1</sup> (MBh)	Total Input (kW) <sup>2</sup>	Sensible Capacity (MBh)					
				Return Dry Bulb (°F)								Return Dry Bulb (°F)					
				90	85	80	75	70	65			90	85	80	75	70	65
				75°F						85°F							
1400	77	74.6	4.4	32.8	27.3	21.8	-	-	-	70.9	4.5	31.6	26.1	20.7	-	-	-
	72	68.0	4.2	41.0	35.6	30.1	24.6	-	-	64.5	4.5	39.7	34.3	28.9	23.4	-	-
	67	61.5	3.9	49.3	43.8	38.3	32.9	27.4	-	58.1	4.4	47.8	42.4	37.0	31.6	26.1	-
	62	55.8	3.9	55.8	52.2	45.9	40.5	35.0	29.5	52.1	4.4	52.1	50.3	44.4	39.0	33.6	28.2
1500	77	75.7	4.5	33.3	28.0	22.7	-	-	-	71.6	4.6	32.3	26.9	21.5	-	-	-
	72	69.0	4.3	41.9	36.6	31.2	25.9	-	-	65.2	4.6	40.7	35.3	29.9	24.4	-	-
	67	62.4	4.0	50.5	45.1	39.8	34.5	29.1	-	58.7	4.5	49.2	43.7	38.3	32.8	27.4	-
	62	56.6	4.0	56.6	54.2	47.7	42.4	37.0	31.7	52.7	4.5	52.7	51.5	46.0	40.6	35.1	29.7
57	53.2	3.9	53.2	53.2	51.0	45.7	40.4	35.1	50.4	4.4	50.4	50.4	48.2	42.8	37.3	31.9	
1600	77	76.8	4.7	33.9	28.7	23.5	-	-	-	72.4	4.7	33.1	27.6	22.2	-	-	-
	72	70.1	4.4	42.8	37.6	32.4	27.2	-	-	65.9	4.7	41.8	36.4	30.9	25.4	-	-
	67	63.3	4.1	51.6	46.4	41.2	36.0	30.9	-	59.4	4.6	50.5	45.1	39.6	34.1	28.7	-
	62	57.4	4.1	57.4	56.2	49.4	44.2	39.0	33.8	53.2	4.5	53.2	52.6	47.6	42.1	36.7	31.2
57	54.0	4.0	54.0	54.0	52.9	47.7	42.5	37.3	51.0	4.5	51.0	51.0	49.8	44.4	38.9	33.5	
1700	77	77.9	4.8	34.4	29.4	24.3	-	-	-	73.2	4.8	33.9	28.4	22.9	-	-	-
	72	71.1	4.5	43.6	38.6	33.5	28.4	-	-	66.6	4.8	42.9	37.4	31.9	26.4	-	-
	67	64.2	4.2	52.8	47.7	42.7	37.6	32.6	-	60.0	4.7	51.9	46.4	40.9	35.4	30.0	-
	62	58.2	4.2	58.2	58.2	51.2	46.1	41.0	36.0	53.8	4.6	53.8	53.8	49.2	43.7	38.2	32.7
57	54.8	4.1	54.8	54.8	54.8	49.7	44.6	39.6	51.5	4.6	51.5	51.5	51.5	46.0	40.5	35.1	
2100	72	73.3	4.8	48.8	42.3	35.9	29.4	-	-	68.1	5.1	47.8	41.0	34.3	27.5	-	-
	67	66.3	4.5	60.5	52.1	45.7	39.2	32.8	-	61.3	5.0	57.2	50.7	43.9	37.1	30.4	-
	62	60.1	4.4	60.1	60.1	56.5	50.0	43.6	37.1	55.0	4.9	55.0	55.0	52.7	45.9	39.1	32.4
	57	56.5	4.4	56.5	56.5	56.5	50.0	43.6	37.1	52.6	4.9	52.6	52.6	52.6	45.9	39.1	32.3
2500	72	75.5	5.1	53.9	46.1	38.2	30.3	-	-	69.5	5.4	52.7	44.7	36.6	28.6	-	-
	67	68.3	4.8	68.3	56.5	48.7	40.8	32.9	-	62.6	5.3	62.6	55.0	46.9	38.9	30.8	-
	62	61.9	4.7	61.9	61.9	61.9	54.0	46.1	38.2	56.2	5.2	56.2	56.2	56.2	48.1	40.0	32.0
	57	58.2	4.7	58.2	58.2	58.2	50.3	42.5	34.6	53.8	5.2	53.8	53.8	53.8	45.7	37.7	29.6
				95°F						105°F							
1400	77	67.2	4.7	30.4	25.0	19.6	-	-	-	61.5	5.2	28.3	23.2	17.8	-	-	-
	72	60.9	4.8	38.4	33.0	27.6	22.2	-	-	55.5	5.3	36.5	31.1	25.7	20.3	-	-
	67	54.7	4.9	46.4	41.0	35.6	30.2	24.9	-	49.6	5.3	44.7	39.0	33.6	28.2	22.8	-
	62	48.4	4.9	48.4	48.4	43.0	37.6	32.2	26.8	44.2	5.3	44.2	44.2	38.2	32.8	27.4	22.0
1500	77	67.6	4.7	31.3	25.8	20.2	-	-	-	62.0	5.3	29.7	24.1	18.4	-	-	-
	72	61.3	4.9	39.6	34.1	28.5	23.0	-	-	56.0	5.3	37.8	32.2	26.6	21.0	-	-
	67	55.1	5.0	47.9	42.3	36.8	31.2	25.7	-	50.1	5.4	46.0	40.4	34.8	29.2	23.6	-
	62	48.7	5.0	48.7	48.7	44.4	38.8	33.3	27.7	44.6	5.4	44.6	44.6	39.6	34.0	28.4	22.8
57	47.6	4.9	47.6	47.6	45.3	39.8	34.2	28.7	43.2	5.4	43.2	43.2	41.1	35.5	29.9	24.3	
1600	77	68.0	4.8	32.3	26.6	20.9	-	-	-	62.6	5.4	31.1	24.9	19.1	-	-	-
	72	61.7	5.0	40.9	35.1	29.4	23.7	-	-	56.5	5.4	39.2	33.3	27.5	21.7	-	-
	67	55.4	5.1	49.4	43.7	38.0	32.2	26.5	-	50.5	5.5	47.2	41.8	36.0	30.2	24.4	-
	62	49.0	5.0	49.0	49.0	45.8	40.1	34.3	28.6	45.0	5.5	45.0	45.0	41.0	35.2	29.4	23.5
57	47.9	5.0	47.9	47.9	46.8	41.1	35.3	29.6	43.6	5.4	43.6	43.6	42.6	36.8	30.9	25.1	
1700	77	68.4	4.9	33.3	27.4	21.5	-	-	-	63.1	5.4	32.5	25.7	19.7	-	-	-
	72	62.1	5.0	42.1	36.2	30.3	24.4	-	-	57.0	5.5	40.5	34.5	28.5	22.4	-	-
	67	55.8	5.2	50.9	45.0	39.1	33.2	27.3	-	50.9	5.6	48.5	43.2	37.2	31.2	25.2	-
	62	49.3	5.1	49.3	49.3	47.2	41.3	35.4	29.5	45.4	5.5	45.4	45.4	42.3	36.3	30.3	24.3
57	48.2	5.1	48.2	48.2	48.2	42.3	36.4	30.5	44.0	5.5	44.0	44.0	44.0	38.0	32.0	25.9	
2100	72	62.8	5.3	46.8	39.7	32.7	25.6	-	-	57.8	5.8	45.3	38.1	30.9	23.7	-	-
	67	56.4	5.5	54.0	49.2	42.1	35.1	28.0	-	51.6	5.9	50.4	46.8	40.3	33.1	25.9	-
	62	49.9	5.4	49.9	49.9	48.8	41.8	34.7	27.6	46.0	5.8	46.0	46.0	44.5	37.3	30.1	22.9
	57	48.8	5.4	48.8	48.8	48.8	41.7	34.6	27.6	44.6	5.8	44.6	44.6	44.6	37.4	30.2	22.9
2500	72	63.5	5.6	51.5	43.2	35.0	26.8	-	-	58.6	6.1	50.1	41.7	33.3	24.9	-	-
	67	57.0	5.8	57.0	53.4	45.2	36.9	28.7	-	52.3	6.2	52.3	50.5	43.5	35.1	26.7	-
	62	50.5	5.7	50.5	50.5	50.5	42.2	34.0	25.8	46.6	6.1	46.6	46.6	46.6	38.2	29.8	21.4
	57	49.3	5.7	49.3	49.3	49.3	41.1	32.9	24.6	45.2	6.1	45.2	45.2	45.2	36.8	28.4	20.0

**NM060 (5.0 Ton) (Continued)**

Air on Evaporator Coil		Temperature of Air on Condenser Coil																	
CFM	WB (°F)	Total Capacity <sup>1</sup> (MBh)	Total Input (kW) <sup>2</sup>	Sensible Capacity (MBh)								Total Capacity <sup>1</sup> (MBh)	Total Input (kW) <sup>2</sup>	Sensible Capacity (MBh)					
				Return Dry Bulb (°F)										Return Dry Bulb (°F)					
				90	85	80	75	70	65	90	85			80	75	70	65		
		<b>115°F</b>								<b>125°F</b>									
1400	77	55.8	5.8	26.2	21.4	16.0	-	-	-	50.1	6.3	26.1	19.7	14.2	-	-	-		
	72	50.2	5.7	34.6	29.2	23.8	18.3	-	-	44.8	6.2	32.8	27.3	21.8	16.4	-	-		
	67	44.5	5.7	43.1	36.9	31.5	26.1	20.7	-	39.4	6.1	39.4	34.9	29.5	24.0	18.5	-		
	62	40.0	5.7	40.0	40.0	33.5	28.1	22.7	17.2	35.9	6.1	35.9	35.8	28.8	23.3	17.9	12.4		
1500	77	56.5	5.8	28.0	22.3	16.6	-	-	-	50.9	6.4	28.4	20.6	14.8	-	-	-		
	72	50.8	5.8	36.0	30.4	24.7	19.0	-	-	45.5	6.3	34.2	28.5	22.8	17.1	-	-		
	67	45.1	5.8	44.1	38.4	32.8	27.1	21.4	-	40.0	6.2	40.0	36.5	30.7	25.0	19.3	-		
	62	40.5	5.8	40.5	40.5	34.8	29.2	23.5	17.9	36.4	6.2	36.4	36.4	30.1	24.4	18.6	12.9		
1600	77	57.1	5.9	29.8	23.2	17.3	-	-	-	51.7	6.5	30.8	21.5	15.5	-	-	-		
	72	51.4	5.9	37.4	31.5	25.6	19.7	-	-	46.2	6.4	35.7	29.7	23.8	17.8	-	-		
	67	45.6	5.9	45.1	39.9	34.0	28.1	22.2	-	40.7	6.2	40.7	38.0	32.0	26.0	20.1	-		
	62	41.0	5.9	41.0	41.0	36.2	30.3	24.4	18.5	37.0	6.3	37.0	37.0	31.4	25.4	19.4	13.4		
1700	77	57.8	6.0	31.6	24.0	17.9	-	-	-	52.5	6.6	33.1	22.3	16.1	-	-	-		
	72	52.0	6.0	38.8	32.7	26.6	20.5	-	-	46.9	6.4	37.2	31.0	24.7	18.5	-	-		
	67	46.1	5.9	46.1	41.4	35.3	29.1	23.0	-	41.3	6.3	41.3	39.6	33.3	27.1	20.8	-		
	62	41.5	6.0	41.5	41.5	37.5	31.4	25.2	19.1	37.5	6.4	37.5	37.5	32.7	26.4	20.2	13.9		
2100	77	59.8	6.0	39.8	39.8	39.8	33.6	27.5	21.4	35.5	6.4	35.5	35.5	35.5	29.3	23.0	16.8		
	72	52.8	6.3	43.8	36.4	29.1	21.7	-	-	47.8	6.7	42.3	34.8	27.3	19.8	-	-		
	67	46.9	6.2	46.9	44.5	38.5	31.2	23.8	-	42.1	6.6	42.1	42.1	36.8	29.2	21.7	-		
	62	42.1	6.3	42.1	42.1	40.2	32.8	25.4	18.1	38.3	6.7	38.3	38.3	35.8	28.3	20.8	13.3		
2500	77	40.4	6.2	40.4	40.4	40.4	33.0	25.7	18.3	36.2	6.7	36.2	36.2	36.2	28.7	21.2	13.7		
	72	53.6	6.6	48.7	40.1	31.5	23.0	-	-	48.7	7.0	47.3	38.6	29.8	21.1	-	-		
	67	47.6	6.5	47.6	47.6	41.8	33.3	24.7	-	42.9	6.9	42.9	42.9	40.2	31.4	22.7	-		
	62	42.8	6.5	42.8	42.8	42.8	34.2	25.6	17.0	39.0	7.0	39.0	39.0	39.0	30.2	21.5	12.7		
2500	57	41.0	6.5	41.0	41.0	41.0	32.5	23.9	15.3	36.9	7.0	36.9	36.9	36.9	28.1	19.4	10.6		

1. These capacities are Net capacities.
2. These ratings include the compressor, condenser fan and supply air blower motors.

**UQ024-060 Cooling Capacities**

**UQ024 (2.0 Ton)**

Air on Evaporator Coil		Temperature of Air on Condenser Coil															
CFM	WB (°F)	Total Capacity <sup>1</sup> (MBh)	Total Input (kW) <sup>2</sup>	Sensible Capacity (MBh)						Total Capacity <sup>1</sup> (MBh)	Total Input (kW) <sup>2</sup>	Sensible Capacity (MBh)					
				Return Dry Bulb (°F)								Return Dry Bulb (°F)					
				90	85	80	75	70	65			90	85	80	75	70	65
		<b>75°F</b>								<b>85°F</b>							
500	77	34.7	1.6	16.5	13.8	11.6	-	-	-	27.0	1.8	11.7	9.9	7.6	-	-	-
	72	30.0	1.6	18.2	16.1	13.9	11.7	-	-	24.4	1.7	15.3	13.0	10.8	8.5	-	-
	67	25.2	1.5	20.0	18.3	16.2	14.1	11.9	-	21.7	1.7	19.0	16.2	13.9	11.6	9.3	-
	62	23.8	1.5	23.8	23.8	21.6	19.4	17.2	15.1	19.3	1.7	19.3	19.3	16.2	13.9	11.7	9.4
600	77	34.8	1.7	17.5	14.9	12.3	-	-	-	27.9	1.8	13.7	11.0	8.4	-	-	-
	72	29.9	1.6	19.6	16.9	14.3	11.7	-	-	25.1	1.8	17.1	14.5	11.8	9.2	-	-
	67	25.0	1.6	21.6	18.9	16.3	13.7	11.0	-	22.4	1.8	20.5	17.9	15.3	12.6	10.0	-
	62	23.7	1.6	23.7	23.7	22.3	19.6	17.0	14.4	19.8	1.7	19.8	19.8	17.8	15.2	12.5	9.9
57	27.0	1.6	27.0	27.0	25.2	22.6	19.9	17.3	21.6	1.8	21.6	21.6	19.4	16.7	14.1	11.4	
700	77	34.9	1.7	18.6	16.0	12.9	-	-	-	28.7	1.9	15.7	12.2	9.2	-	-	-
	72	29.9	1.7	20.9	17.8	14.7	11.6	-	-	25.9	1.8	18.9	15.9	12.9	9.9	-	-
	67	24.9	1.6	23.2	19.5	16.4	13.3	10.2	-	23.0	1.8	22.1	19.6	16.6	13.6	10.6	-
	62	23.7	1.6	23.7	23.7	23.0	19.9	16.8	13.7	20.4	1.8	20.4	20.4	19.4	16.4	13.4	10.4
57	27.0	1.7	27.0	27.0	26.1	23.0	19.9	16.8	22.2	1.8	22.2	22.2	21.1	18.1	15.1	12.1	
800	77	35.0	1.8	19.6	17.1	13.6	-	-	-	29.5	1.9	17.7	13.3	9.9	-	-	-
	72	29.9	1.7	22.2	18.6	15.0	11.5	-	-	26.6	1.9	20.7	17.3	14.0	10.6	-	-
	67	24.7	1.6	24.7	20.1	16.5	12.9	9.3	-	23.7	1.8	23.7	21.4	18.0	14.7	11.3	-
	62	23.7	1.6	23.7	23.7	23.7	20.1	16.5	13.0	21.0	1.8	21.0	21.0	21.0	17.7	14.3	10.9
57	27.1	1.7	27.1	27.1	27.1	23.5	20.0	16.4	22.9	1.9	22.9	22.9	22.9	19.5	16.1	12.8	
900	72	31.1	1.7	24.5	20.6	16.6	12.7	-	-	27.3	1.9	22.3	18.6	14.8	11.1	-	-
	67	25.8	1.6	25.8	22.9	18.5	14.5	10.6	-	24.3	1.8	24.3	22.9	19.1	15.4	11.6	-
	62	24.6	1.6	24.6	24.6	24.6	20.7	16.7	12.8	21.6	1.8	21.6	21.6	21.6	17.8	14.1	10.3
	57	28.1	1.7	28.1	28.1	28.1	24.2	20.3	16.3	23.5	1.9	23.5	23.5	23.5	19.7	16.0	12.2
1000	72	32.3	1.7	26.8	22.5	18.2	13.9	-	-	28.0	1.9	23.9	19.8	15.7	11.5	-	-
	67	26.8	1.6	26.8	25.6	20.5	16.2	11.8	-	25.0	1.8	25.0	24.4	20.2	16.1	11.9	-
	62	25.6	1.6	25.6	25.6	25.6	21.3	17.0	12.6	22.2	1.8	22.2	22.2	22.2	18.0	13.9	9.7
	57	29.2	1.7	29.2	29.2	29.2	24.9	20.6	16.2	24.1	1.9	24.1	24.1	24.1	19.9	15.8	11.7
		<b>95°F</b>								<b>105°F</b>							
500	77	19.3	1.9	6.8	6.0	3.7	-	-	-	20.1	2.2	8.7	6.1	4.6	-	-	-
	72	18.8	1.9	12.4	10.0	7.6	5.2	-	-	18.3	2.1	12.5	10.2	7.9	5.7	-	-
	67	18.2	1.9	17.9	14.0	11.6	9.2	6.8	-	16.5	2.1	16.4	14.4	11.3	9.0	6.7	-
	62	14.7	1.8	14.7	14.7	10.8	8.5	6.1	3.7	14.0	2.1	14.0	14.0	10.4	8.1	5.8	3.5
600	77	20.9	2.0	9.8	7.2	4.5	-	-	-	21.0	2.2	11.8	7.9	5.3	-	-	-
	72	20.3	2.0	14.7	12.0	9.4	6.7	-	-	19.1	2.2	14.5	11.9	9.3	6.7	-	-
	67	19.7	1.9	19.5	16.9	14.2	11.6	8.9	-	17.3	2.1	17.2	15.9	13.3	10.7	8.1	-
	62	16.0	1.9	16.0	16.0	13.3	10.7	8.1	5.4	14.6	2.1	14.6	14.6	12.3	9.6	7.0	4.4
57	16.2	1.9	16.2	16.2	13.5	10.9	8.2	5.6	14.8	2.1	14.8	14.8	12.4	9.8	7.2	4.6	
700	77	22.5	2.0	12.8	8.3	5.4	-	-	-	21.8	2.3	15.0	9.8	6.0	-	-	-
	72	21.8	2.0	16.9	14.0	11.1	8.2	-	-	19.9	2.2	16.5	13.6	10.6	7.7	-	-
	67	21.2	2.0	21.1	19.8	16.9	14.0	11.1	-	18.0	2.2	18.0	17.3	15.2	12.3	9.4	-
	62	17.2	1.9	17.2	17.2	15.8	12.9	10.0	7.1	15.3	2.2	15.3	15.3	14.1	11.1	8.2	5.3
57	17.4	2.0	17.4	17.4	16.1	13.2	10.3	7.4	15.5	2.2	15.5	15.5	14.3	11.3	8.4	5.5	
800	77	24.1	2.1	15.8	9.5	6.2	-	-	-	22.6	2.3	18.1	11.6	6.8	-	-	-
	72	23.4	2.1	19.2	16.1	12.9	9.7	-	-	20.7	2.3	18.5	15.2	12.0	8.7	-	-
	67	22.6	2.1	22.6	22.6	19.6	16.4	13.2	-	18.8	2.3	18.8	18.8	17.2	14.0	10.7	-
	62	18.4	2.0	18.4	18.4	18.4	15.2	12.0	8.9	15.9	2.2	15.9	15.9	15.9	12.6	9.4	6.2
57	18.6	2.1	18.6	18.6	18.6	15.4	12.3	9.1	16.1	2.2	16.1	16.1	16.1	12.9	9.6	6.4	
900	72	23.6	2.1	20.1	16.6	13.0	9.5	-	-	21.2	2.3	18.0	15.1	12.2	9.3	-	-
	67	22.9	2.1	22.9	22.9	19.8	16.2	12.6	-	19.3	2.3	19.3	19.3	17.5	14.6	11.7	-
	62	18.5	2.0	18.5	18.5	18.5	15.0	11.4	7.9	16.3	2.2	16.3	16.3	16.1	13.2	10.3	7.4
	57	18.8	2.1	18.8	18.8	18.8	15.2	11.7	8.1	16.5	2.3	16.5	16.5	16.3	13.4	10.5	7.6
1000	72	23.8	2.1	21.1	17.1	13.2	9.2	-	-	21.7	2.3	17.5	14.9	12.4	9.8	-	-
	67	23.1	2.1	23.1	23.1	20.0	16.0	12.1	-	19.7	2.3	19.7	19.7	17.7	15.1	12.6	-
	62	18.7	2.0	18.7	18.7	18.7	14.8	10.8	6.9	16.7	2.3	16.7	16.7	16.4	13.8	11.2	8.6
	57	19.0	2.1	19.0	19.0	19.0	15.0	11.1	7.1	16.9	2.3	16.9	16.9	16.6	14.0	11.4	8.9

**UQ024 (2.0 Ton) (Continued)**

Air on Evaporator Coil		Temperature of Air on Condenser Coil															
CFM	WB (°F)	Total Capacity <sup>1</sup> (MBh)	Total Input (kW) <sup>2</sup>	Sensible Capacity (MBh)						Total Capacity <sup>1</sup> (MBh)	Total Input (kW) <sup>2</sup>	Sensible Capacity (MBh)					
				Return Dry Bulb (°F)								Return Dry Bulb (°F)					
				90	85	80	75	70	65			90	85	80	75	70	65
		<b>115°F</b>						<b>125°F</b>									
500	77	20.9	2.4	10.6	6.2	5.5	-	-	-	21.7	2.7	14.1	8.3	5.7	-	-	-
	72	17.9	2.4	12.7	10.5	8.3	6.1	-	-	17.4	2.6	12.9	10.7	8.6	6.5	-	-
	67	14.8	2.3	14.8	14.8	11.1	8.9	6.7	-	13.1	2.5	13.1	13.1	11.0	8.7	6.6	-
	62	13.3	2.3	13.3	13.3	10.0	7.8	5.6	3.4	12.5	2.5	12.5	12.5	9.6	7.5	5.4	3.2
600	77	21.0	2.5	13.9	8.7	6.1	-	-	-	21.1	2.7	16.0	10.9	6.9	-	-	-
	72	17.9	2.4	14.4	11.8	9.2	6.6	-	-	16.8	2.7	14.2	11.7	9.1	6.6	-	-
	67	14.9	2.4	14.9	14.9	12.3	9.8	7.2	-	12.5	2.6	12.5	12.5	11.4	8.9	6.3	-
	62	13.3	2.3	13.3	13.3	11.2	8.6	6.0	3.4	12.0	2.6	12.0	12.0	10.1	7.5	5.0	2.4
57	13.5	2.3	13.5	13.5	11.3	8.7	6.2	3.6	12.2	2.5	12.2	12.2	10.2	7.7	5.1	2.6	
700	77	21.1	2.5	17.1	11.2	6.7	-	-	-	20.4	2.8	17.8	13.4	8.0	-	-	-
	72	18.0	2.5	16.0	13.1	10.1	7.2	-	-	16.1	2.7	15.6	12.6	9.6	6.7	-	-
	67	14.9	2.4	14.9	14.9	13.6	10.7	7.7	-	11.8	2.6	11.8	11.8	11.8	9.0	6.0	-
	62	13.4	2.4	13.4	13.4	12.3	9.3	6.4	3.5	11.5	2.6	11.5	11.5	10.5	7.5	4.6	1.6
57	13.6	2.4	13.6	13.6	12.5	9.5	6.6	3.6	11.6	2.6	11.6	11.6	10.7	7.7	4.7	1.8	
800	77	21.2	2.6	20.4	13.8	7.3	-	-	-	19.7	2.8	19.7	15.9	9.2	-	-	-
	72	18.1	2.5	17.7	14.4	11.1	7.8	-	-	15.4	2.7	15.4	13.5	10.2	6.8	-	-
	67	15.0	2.5	15.0	15.0	14.8	11.5	8.2	-	11.1	2.7	11.1	11.1	11.1	9.1	5.7	-
	62	13.4	2.4	13.4	13.4	13.4	10.1	6.8	3.5	10.9	2.7	10.9	10.9	10.9	7.6	4.2	0.8
57	13.6	2.4	13.6	13.6	13.6	10.3	7.0	3.7	11.1	2.6	11.1	11.1	11.1	7.7	4.3	1.0	
900	72	18.9	2.5	15.8	13.6	11.3	9.1	-	-	16.5	2.8	13.7	12.1	10.5	8.9	-	-
	67	15.6	2.5	15.6	15.6	15.2	12.9	10.7	-	12.0	2.7	12.0	12.0	12.0	11.3	9.7	-
	62	14.0	2.5	14.0	14.0	13.7	11.4	9.2	6.9	11.7	2.7	11.7	11.7	11.3	9.7	8.1	6.5
	57	14.2	2.5	14.2	14.2	13.9	11.6	9.4	7.1	11.9	2.6	11.9	11.9	11.4	9.8	8.2	6.6
1000	72	19.7	2.6	14.0	12.8	11.6	10.4	-	-	17.6	2.8	10.4	10.6	10.8	10.9	-	-
	67	16.3	2.5	16.3	16.3	15.5	14.3	13.1	-	12.9	2.7	12.9	12.9	12.9	12.9	12.9	-
	62	14.6	2.5	14.6	14.6	14.0	12.8	11.6	10.4	12.5	2.7	12.5	12.5	11.6	11.8	12.0	12.2
	57	14.8	2.5	14.8	14.8	14.2	13.0	11.8	10.6	12.7	2.7	12.7	12.7	11.8	12.0	12.1	12.3

1. These capacities are Net capacities.
2. These ratings include the compressor, condenser fan and supply air blower motors.

**UQ030 (2.5 Ton)**

Air on Evaporator Coil		Temperature of Air on Condenser Coil															
CFM	WB (°F)	Total Capacity <sup>1</sup> (MBh)	Total Input (kW) <sup>2</sup>	Sensible Capacity (MBh)						Total Capacity <sup>1</sup> (MBh)	Total Input (kW) <sup>2</sup>	Sensible Capacity (MBh)					
				Return Dry Bulb (°F)								Return Dry Bulb (°F)					
				90	85	80	75	70	65			90	85	80	75	70	65
				<b>75°F</b>						<b>85°F</b>							
900	77	33.7	2.1	16.6	12.8	9.4	-	-	-	33.3	2.2	15.4	12.5	9.1	-	-	-
	72	31.8	2.0	21.0	17.5	14.0	10.6	-	-	31.1	2.2	20.6	17.1	13.7	10.3	-	-
	67	30.0	2.0	25.3	22.1	18.7	15.2	11.7	-	28.8	2.2	25.7	21.8	18.3	14.9	11.5	-
	62	27.4	2.0	27.4	27.4	23.5	20.0	16.6	13.1	26.3	2.1	26.3	26.3	21.9	18.5	15.1	11.7
950	77	34.7	2.1	17.6	13.9	10.3	-	-	-	33.9	2.2	17.2	13.6	9.9	-	-	-
	72	32.8	2.0	22.6	19.0	15.3	11.7	-	-	31.6	2.2	22.3	18.6	14.9	11.3	-	-
	67	30.9	1.9	27.7	24.1	20.4	16.8	13.1	-	29.4	2.2	27.3	23.6	20.0	16.3	12.6	-
	62	28.2	1.9	28.2	28.2	25.7	22.0	18.4	14.7	26.8	2.1	26.8	26.8	23.9	20.2	16.6	12.9
57	27.1	1.9	27.1	27.1	24.5	20.8	17.2	13.5	26.3	2.1	26.3	26.3	23.5	19.8	16.1	12.5	
1000	77	35.7	2.0	18.5	15.0	11.1	-	-	-	34.5	2.2	19.1	14.6	10.7	-	-	-
	72	33.7	2.0	24.3	20.5	16.7	12.8	-	-	32.2	2.2	24.0	20.1	16.2	12.3	-	-
	67	31.7	1.9	30.2	26.0	22.2	18.3	14.5	-	29.9	2.2	28.9	25.5	21.6	17.7	13.8	-
	62	29.0	1.9	29.0	29.0	27.9	24.1	20.2	16.4	27.3	2.1	27.3	27.3	25.9	22.0	18.1	14.2
57	27.9	1.9	27.9	27.9	26.5	22.7	18.9	15.0	26.8	2.1	26.8	26.8	25.4	21.5	17.6	13.7	
1050	77	36.7	2.0	19.4	16.0	12.0	-	-	-	35.1	2.2	20.9	15.7	11.5	-	-	-
	72	34.7	1.9	26.0	22.0	18.0	14.0	-	-	32.8	2.2	25.7	21.5	17.4	13.2	-	-
	67	32.6	1.9	32.6	27.9	23.9	19.9	15.9	-	30.4	2.2	30.4	27.4	23.2	19.1	15.0	-
	62	29.8	1.9	29.8	29.8	29.8	26.1	22.0	18.0	27.8	2.1	27.8	27.8	23.7	19.5	15.4	-
57	28.6	1.9	28.6	28.6	28.6	24.6	20.6	16.6	27.3	2.1	27.3	27.3	23.2	19.0	14.9	-	
1150	72	34.6	2.1	27.0	22.8	18.6	14.4	-	-	32.6	2.3	26.8	22.4	18.1	13.7	-	-
	67	32.5	2.0	32.5	29.7	24.8	20.6	16.4	-	30.3	2.3	30.3	28.5	24.2	19.8	15.5	-
	62	29.7	2.0	29.7	29.7	25.7	21.5	17.3	-	27.7	2.2	27.7	27.7	23.3	19.0	14.6	-
	57	28.6	2.0	28.6	28.6	28.6	24.4	20.2	16.0	27.2	2.2	27.2	27.2	22.8	18.5	14.1	-
1250	72	34.5	2.2	28.0	23.6	19.3	14.9	-	-	32.5	2.4	27.8	23.3	18.8	14.2	-	-
	67	32.5	2.1	32.5	31.4	25.7	21.3	16.9	-	30.1	2.4	30.1	29.6	25.1	20.5	16.0	-
	62	29.7	2.1	29.7	29.7	25.3	20.9	16.6	-	27.5	2.4	27.5	27.5	23.0	18.4	13.9	-
	57	28.5	2.1	28.5	28.5	24.1	19.8	15.4	-	27.0	2.4	27.0	27.0	22.5	18.0	13.4	-
				<b>95°F</b>						<b>105°F</b>							
900	77	32.9	2.4	14.2	12.2	8.8	-	-	-	33.9	2.7	14.0	11.4	8.7	-	-	-
	72	30.3	2.4	20.2	16.8	13.4	10.0	-	-	30.3	2.7	20.0	16.6	13.2	9.8	-	-
	67	27.7	2.4	26.1	21.4	18.0	14.6	11.2	-	26.7	2.7	25.9	21.8	17.7	14.3	10.9	-
	62	25.2	2.3	25.2	25.2	20.4	17.0	13.6	10.3	24.8	2.6	24.8	24.3	19.1	15.7	12.3	8.9
950	77	33.1	2.4	16.9	13.2	9.6	-	-	-	33.1	2.7	17.2	12.9	9.3	-	-	-
	72	30.5	2.4	21.9	18.2	14.5	10.9	-	-	29.6	2.7	21.4	17.7	14.1	10.4	-	-
	67	27.9	2.4	26.9	23.2	19.5	15.8	12.2	-	26.1	2.7	25.6	22.5	18.9	15.2	11.5	-
	62	25.4	2.4	25.4	25.4	22.1	18.4	14.8	11.1	24.2	2.6	24.2	23.9	20.4	16.7	13.0	9.3
57	25.6	2.4	25.6	25.6	22.5	18.8	15.1	11.5	26.0	2.6	26.0	25.3	21.9	18.2	14.6	10.9	
1000	77	33.3	2.4	19.6	14.3	10.3	-	-	-	32.2	2.7	20.4	14.4	9.8	-	-	-
	72	30.7	2.4	23.6	19.6	15.7	11.7	-	-	28.9	2.7	22.8	18.9	14.9	11.0	-	-
	67	28.1	2.4	27.6	25.0	21.0	17.1	13.1	-	25.5	2.7	25.2	23.3	20.0	16.1	12.2	-
	62	25.6	2.4	25.6	25.6	23.8	19.9	15.9	11.9	23.6	2.7	23.6	23.4	21.6	17.7	13.7	9.8
57	25.8	2.4	25.8	25.8	24.2	20.3	16.3	12.3	25.3	2.7	25.3	24.9	23.2	19.3	15.4	11.4	
1050	77	33.6	2.4	22.3	15.3	11.1	-	-	-	31.4	2.8	23.6	15.9	10.4	-	-	-
	72	30.9	2.4	25.3	21.1	16.8	12.5	-	-	28.1	2.8	24.2	20.0	15.8	11.6	-	-
	67	28.3	2.4	28.3	26.8	22.5	18.3	14.0	-	24.9	2.7	24.9	24.1	21.2	17.0	12.8	-
	62	25.8	2.4	25.8	25.8	25.5	21.3	17.0	12.8	23.0	2.7	23.0	23.0	22.9	18.7	14.5	10.3
57	26.0	2.4	26.0	26.0	21.7	17.5	13.2	9.2	24.6	2.7	24.6	24.6	24.6	20.4	16.2	11.9	
1150	72	30.7	2.5	26.5	22.0	17.5	13.0	-	-	27.8	2.9	24.9	20.5	16.0	11.5	-	-
	67	28.1	2.5	28.1	27.3	23.5	19.0	14.5	-	24.6	2.8	24.6	24.3	21.4	17.0	12.5	-
	62	25.6	2.5	25.6	25.6	25.5	21.0	16.5	12.0	22.8	2.8	22.8	22.8	22.6	18.1	13.7	9.2
	57	25.8	2.5	25.8	25.8	25.8	21.3	16.8	12.3	24.4	2.8	24.4	24.4	24.2	19.7	15.2	10.8
1250	72	30.4	2.6	27.7	23.0	18.3	13.5	-	-	27.6	3.0	25.6	20.9	16.2	11.4	-	-
	67	27.8	2.6	27.8	27.8	24.5	19.8	15.1	-	24.4	2.9	24.4	24.4	21.7	16.9	12.2	-
	62	25.4	2.6	25.4	25.4	25.4	20.7	16.0	11.2	22.6	2.9	22.6	22.6	22.3	17.6	12.8	8.1
	57	25.6	2.6	25.6	25.6	25.6	20.9	16.1	11.4	24.1	2.9	24.1	24.1	23.8	19.1	14.3	9.6

**UQ030 (2.5 Ton) (Continued)**

Air on Evaporator Coil		Temperature of Air on Condenser Coil															
CFM	WB (°F)	Total Capacity <sup>1</sup> (MBh)	Total Input (kW) <sup>2</sup>	Sensible Capacity (MBh)						Total Capacity <sup>1</sup> (MBh)	Total Input (kW) <sup>2</sup>	Sensible Capacity (MBh)					
				Return Dry Bulb (°F)								Return Dry Bulb (°F)					
				90	85	80	75	70	65			90	85	80	75	70	65
		<b>115°F</b>								<b>125°F</b>							
900	77	35.0	3.0	13.9	10.7	8.6	-	-	-	36.1	3.4	14.5	9.5	8.2	-	-	-
	72	30.4	3.0	19.8	16.4	13.0	9.6	-	-	30.4	3.3	19.6	16.2	12.8	9.3	-	-
	67	25.7	2.9	25.7	22.1	17.4	14.0	10.6	-	24.8	3.2	24.8	22.5	17.1	13.7	10.2	-
	62	24.4	2.9	24.4	23.3	17.8	14.4	10.9	7.5	23.9	3.2	23.9	22.3	16.5	13.0	9.6	6.2
950	77	33.1	3.1	17.6	12.6	9.0	-	-	-	33.0	3.4	18.4	12.3	8.7	-	-	-
	72	28.7	3.0	20.9	17.3	13.6	9.9	-	-	27.8	3.3	20.5	16.8	13.1	9.5	-	-
	67	24.3	3.0	24.3	21.9	18.2	14.6	10.9	-	22.5	3.2	22.5	21.3	17.6	13.9	10.3	-
	62	23.0	2.9	23.0	22.3	18.6	14.9	11.3	7.6	21.8	3.2	21.8	20.7	16.9	13.2	9.5	5.9
57	26.3	2.9	26.3	25.0	21.3	17.6	14.0	10.3	26.7	3.2	26.7	24.7	20.7	17.0	13.4	9.7	-
1000	77	31.1	3.1	21.2	14.6	9.4	-	-	-	30.0	3.4	22.3	15.1	9.2	-	-	-
	72	27.0	3.0	22.1	18.1	14.2	10.3	-	-	25.1	3.3	21.3	17.4	13.5	9.6	-	-
	67	22.9	3.0	22.9	21.7	19.1	15.1	11.2	-	20.3	3.3	20.3	20.0	18.1	14.2	10.3	-
	62	21.7	3.0	21.7	21.3	19.5	15.5	11.6	7.7	19.7	3.2	19.7	19.1	17.3	13.4	9.5	5.6
57	24.8	2.9	24.8	24.1	22.3	18.3	14.4	10.5	24.3	3.2	24.3	23.3	21.3	17.4	13.5	9.6	-
1050	77	29.2	3.1	24.9	16.6	9.8	-	-	-	27.0	3.5	26.2	17.9	9.7	-	-	-
	72	25.3	3.1	23.2	19.0	14.8	10.7	-	-	22.5	3.4	22.1	18.0	13.8	9.7	-	-
	67	21.4	3.0	21.4	21.4	19.9	15.7	11.5	-	18.0	3.3	18.0	18.0	18.0	14.4	10.3	-
	62	20.3	3.0	20.3	20.3	20.3	16.1	11.9	7.8	17.5	3.3	17.5	17.5	17.5	13.5	9.4	5.3
57	23.2	3.0	23.2	23.2	23.2	19.1	14.9	10.7	21.9	3.2	21.9	21.9	21.9	17.7	13.6	9.5	-
1150	72	25.0	3.2	23.4	18.9	14.4	10.0	-	-	22.2	3.5	21.8	17.4	12.9	8.4	-	-
	67	21.2	3.1	21.2	21.2	19.4	14.9	10.4	-	17.8	3.4	17.8	17.8	17.3	12.8	8.4	-
	62	20.1	3.1	20.1	20.1	19.8	15.3	10.8	6.4	17.3	3.4	17.3	17.3	16.9	12.5	8.0	3.6
	57	23.0	3.1	23.0	23.0	22.6	18.2	13.7	9.2	21.5	3.4	21.5	21.5	21.0	16.6	12.1	7.7
1250	72	24.7	3.3	23.6	18.8	14.1	9.3	-	-	21.8	3.7	21.5	16.7	12.0	7.2	-	-
	67	20.9	3.2	20.9	20.9	18.8	14.1	9.3	-	17.5	3.6	17.5	17.5	16.0	11.2	6.5	-
	62	19.8	3.2	19.8	19.8	19.2	14.5	9.7	5.0	17.0	3.5	17.0	17.0	16.2	11.4	6.6	1.8
	57	22.7	3.2	22.7	22.7	22.0	17.3	12.5	7.8	21.2	3.5	21.2	21.2	20.2	15.5	10.7	5.9

1. These capacities are Net capacities.
2. These ratings include the compressor, condenser fan and supply air blower motors.



**UQ036 (3.0 Ton)**

Air on Evaporator Coil		Temperature of Air on Condenser Coil																	
CFM	WB (°F)	Total Capacity <sup>1</sup> (MBh)	Total Input (kW) <sup>2</sup>	Sensible Capacity (MBh)						Total Capacity <sup>1</sup> (MBh)	Total Input (kW) <sup>2</sup>	Sensible Capacity (MBh)							
				Return Dry Bulb (°F)								Return Dry Bulb (°F)							
				90	85	80	75	70	65			90	85	80	75	70	65		
				<b>75°F</b>								<b>85°F</b>							
1000	77	44.4	2.5	22.6	16.9	12.4	-	-	-	41.0	2.7	19.5	15.1	10.6	-	-	-		
	72	41.2	2.5	26.9	22.4	17.9	13.4	-	-	37.8	2.7	25.0	20.5	16.1	11.6	-	-		
	67	37.9	2.4	31.1	27.8	23.4	18.9	14.4	-	34.7	2.7	30.4	26.0	21.5	17.1	12.6	-		
	62	34.9	2.4	34.9	34.9	29.9	25.4	21.0	16.5	31.1	2.7	31.1	31.1	25.9	21.5	17.0	12.6		
1100	77	45.8	2.5	22.8	18.2	13.5	-	-	-	42.6	2.8	21.2	16.5	11.8	-	-	-		
	72	42.5	2.5	28.7	24.0	19.3	14.7	-	-	39.4	2.8	27.2	22.5	17.8	13.2	-	-		
	67	39.1	2.5	34.6	29.9	25.2	20.5	15.9	-	36.1	2.8	33.2	28.5	23.9	19.2	14.5	-		
	62	36.1	2.5	36.1	36.1	32.4	27.7	23.0	18.4	32.3	2.7	32.3	32.3	28.7	24.0	19.4	14.7		
1200	77	47.2	2.6	23.1	19.4	14.5	-	-	-	44.3	2.9	22.8	17.9	13.0	-	-	-		
	72	43.8	2.6	30.5	25.7	20.8	15.9	-	-	40.9	2.8	29.4	24.5	19.6	14.7	-	-		
	67	40.3	2.6	38.0	31.9	27.1	22.2	17.3	-	37.5	2.8	36.0	31.1	26.2	21.3	16.4	-		
	62	37.2	2.5	37.2	37.2	34.9	30.0	25.1	20.2	33.6	2.8	33.6	33.6	31.5	26.6	21.7	16.8		
1300	77	48.6	2.7	23.3	20.7	15.6	-	-	-	45.9	2.9	24.4	19.3	14.1	-	-	-		
	72	45.1	2.6	32.4	27.3	22.2	17.2	-	-	42.4	2.9	31.6	26.5	21.3	16.2	-	-		
	67	41.5	2.6	41.4	34.0	28.9	23.8	18.7	-	38.9	2.9	38.8	33.7	28.5	23.4	18.2	-		
	62	38.3	2.6	38.3	38.3	37.3	33.3	27.2	22.1	34.8	2.9	34.8	34.8	34.3	29.2	24.1	18.9		
1350	72	46.0	2.7	33.4	28.2	22.9	17.7	-	-	42.9	3.0	32.4	27.0	21.7	16.4	-	-		
	67	42.4	2.7	42.3	35.1	29.8	24.6	19.4	-	39.3	3.0	39.3	34.4	29.1	23.7	18.4	-		
	62	39.1	2.6	39.1	39.1	38.6	33.3	28.1	22.9	35.2	2.9	35.2	35.2	35.0	29.6	24.3	19.0		
	57	38.4	2.7	38.4	38.4	38.4	33.2	27.9	22.7	35.5	2.9	35.5	35.5	35.5	30.2	24.9	19.5		
1400	72	46.9	2.8	34.5	29.1	23.7	18.2	-	-	43.3	3.0	33.1	27.6	22.1	16.6	-	-		
	67	43.2	2.7	43.2	36.2	30.8	25.4	20.0	-	39.7	3.0	39.7	35.1	29.6	24.1	18.6	-		
	62	39.8	2.7	39.8	39.8	39.8	34.4	29.0	23.6	35.6	3.0	35.6	35.6	35.6	30.1	24.6	19.1		
	57	39.2	2.7	39.2	39.2	39.2	33.8	28.4	23.0	35.9	3.0	35.9	35.9	35.9	30.4	24.9	19.4		
				<b>95°F</b>								<b>105°F</b>							
1000	77	37.6	3.0	16.5	13.2	8.8	-	-	-	35.6	3.4	16.5	11.9	8.1	-	-	-		
	72	34.5	3.0	23.1	18.7	14.3	9.9	-	-	32.0	3.3	21.9	17.6	13.3	8.9	-	-		
	67	31.5	3.0	29.7	24.1	19.7	15.3	10.9	-	28.3	3.3	27.4	23.3	18.5	14.1	9.8	-		
	62	27.3	2.9	27.3	27.3	21.9	17.5	13.1	8.7	25.4	3.3	25.4	25.4	20.0	15.7	11.4	7.0		
1100	77	39.5	3.0	19.5	14.8	10.1	-	-	-	37.2	3.4	19.9	13.9	9.3	-	-	-		
	72	36.3	3.0	25.7	21.0	16.3	11.6	-	-	33.4	3.4	24.5	19.8	15.2	10.6	-	-		
	67	33.1	3.0	31.9	27.2	22.5	17.8	13.2	-	29.6	3.4	29.0	25.8	21.1	16.5	11.9	-		
	62	28.6	3.0	28.6	28.6	25.0	20.4	15.7	11.0	26.5	3.3	26.5	26.5	23.0	18.3	13.7	9.1		
1200	77	41.3	3.1	22.5	16.3	11.4	-	-	-	38.8	3.5	23.4	15.9	10.5	-	-	-		
	72	38.0	3.1	28.3	23.3	18.4	13.4	-	-	34.9	3.5	27.0	22.1	17.2	12.2	-	-		
	67	34.6	3.1	34.0	30.3	25.3	20.4	15.5	-	30.9	3.4	30.6	28.3	23.8	18.9	14.0	-		
	62	30.0	3.1	30.0	30.0	28.2	23.3	18.3	13.4	27.7	3.4	27.7	27.7	25.9	21.0	16.1	11.1		
1300	77	43.2	3.2	25.5	17.9	12.7	-	-	-	40.4	3.5	26.9	17.9	11.7	-	-	-		
	72	39.7	3.2	30.8	25.6	20.4	15.2	-	-	36.3	3.5	29.5	24.3	19.1	13.9	-	-		
	67	36.2	3.2	36.2	33.4	28.2	23.0	17.7	-	32.2	3.5	32.2	30.8	26.5	21.3	16.1	-		
	62	31.4	3.1	31.4	31.4	31.4	26.1	20.9	15.7	28.8	3.5	28.8	28.8	28.8	23.6	18.4	13.2		
1350	72	39.7	3.2	31.3	25.9	20.5	15.1	-	-	36.3	3.6	30.0	24.6	19.2	13.8	-	-		
	67	36.2	3.2	36.2	33.7	28.3	22.9	17.5	-	32.2	3.6	32.2	30.9	26.7	21.3	15.9	-		
	62	31.3	3.2	31.3	31.3	31.3	25.9	20.5	15.1	28.8	3.5	28.8	28.8	28.8	23.4	18.0	12.6		
	57	32.6	3.2	32.6	32.6	32.6	27.2	21.8	16.4	30.4	3.3	30.4	30.4	30.4	25.0	19.6	14.2		
1400	72	39.7	3.3	31.8	26.2	20.6	15.0	-	-	36.3	3.6	30.5	24.9	19.3	13.7	-	-		
	67	36.2	3.3	36.2	34.0	28.4	22.8	17.2	-	32.2	3.6	32.2	31.1	26.8	21.2	15.6	-		
	62	31.3	3.2	31.3	31.3	31.3	25.7	20.1	14.5	28.8	3.6	28.8	28.8	28.8	23.2	17.6	12.0		
	57	32.6	3.3	32.6	32.6	32.6	27.0	21.4	15.8	30.4	3.4	30.4	30.4	30.4	24.8	19.2	13.6		

**UQ036 (3.0 Ton) (Continued)**

Air on Evaporator Coil		Temperature of Air on Condenser Coil															
CFM	WB (°F)	Total Capacity <sup>1</sup> (MBh)	Total Input (kW) <sup>2</sup>	Sensible Capacity (MBh)						Total Capacity <sup>1</sup> (MBh)	Total Input (kW) <sup>2</sup>	Sensible Capacity (MBh)					
				Return Dry Bulb (°F)								Return Dry Bulb (°F)					
				90	85	80	75	70	65			90	85	80	75	70	65
		<b>115°F</b>						<b>125°F</b>									
1000	77	33.7	3.7	16.4	10.6	7.4	-	-	-	31.7	4.1	17.3	9.0	6.6	-	-	-
	72	29.4	3.7	20.8	16.5	12.3	8.0	-	-	26.8	4.0	19.7	15.5	11.3	7.1	-	-
	67	25.1	3.6	25.1	22.5	17.2	13.0	8.7	-	22.0	4.0	22.0	22.0	16.0	11.8	7.6	-
	62	23.5	3.6	23.5	23.5	18.2	13.9	9.7	5.4	21.6	4.0	21.6	21.6	16.3	12.1	8.0	3.8
1100	77	35.0	3.8	20.4	13.0	8.5	-	-	-	32.7	4.2	21.5	12.4	7.6	-	-	-
	72	30.6	3.7	23.3	18.7	14.1	9.6	-	-	27.7	4.1	22.1	17.5	13.0	8.5	-	-
	67	26.1	3.7	26.1	24.4	19.8	15.2	10.6	-	22.7	4.0	22.7	22.7	18.4	13.9	9.4	-
	62	24.4	3.7	24.4	24.4	20.9	16.3	11.7	7.2	22.3	4.0	22.3	22.3	18.8	14.3	9.8	5.2
	57	26.3	3.3	26.3	26.3	22.5	17.9	13.3	8.8	24.6	3.4	24.6	24.6	20.7	16.2	11.6	7.1
1200	77	36.3	3.9	24.3	15.5	9.6	-	-	-	33.8	4.2	25.6	15.9	8.6	-	-	-
	72	31.7	3.8	25.7	20.8	16.0	11.1	-	-	28.6	4.2	24.5	19.6	14.7	9.9	-	-
	67	27.1	3.8	27.1	26.2	22.3	17.5	12.6	-	23.4	4.1	23.4	23.4	20.8	16.0	11.1	-
	62	25.4	3.7	25.4	25.4	23.6	18.7	13.8	8.9	23.1	4.1	23.1	23.1	21.3	16.4	11.5	6.7
	57	27.3	3.3	27.3	27.3	25.4	20.5	15.6	10.7	25.4	3.4	25.4	25.4	23.4	18.5	13.7	8.8
1300	77	37.6	3.9	28.3	17.9	10.7	-	-	-	34.8	4.3	29.7	19.3	9.7	-	-	-
	72	32.9	3.9	28.2	23.0	17.8	12.6	-	-	29.4	4.2	26.9	21.7	16.5	11.3	-	-
	67	28.1	3.8	28.1	28.1	24.9	19.7	14.5	-	24.1	4.1	24.1	24.1	23.3	18.1	12.9	-
	62	26.3	3.8	26.3	26.3	26.3	21.1	15.9	10.7	23.8	4.1	23.8	23.8	23.8	18.5	13.3	8.1
	57	28.3	3.4	28.3	28.3	28.3	23.1	17.9	12.7	26.1	3.5	26.1	26.1	26.1	20.9	15.7	10.5
1350	72	32.9	3.9	28.7	23.3	17.9	12.5	-	-	29.5	4.3	27.5	22.0	16.6	11.2	-	-
	67	28.1	3.9	28.1	28.1	25.1	19.7	14.3	-	24.1	4.2	24.1	24.1	23.5	18.1	12.7	-
	62	26.3	3.9	26.3	26.3	26.3	20.9	15.5	10.0	23.8	4.2	23.8	23.8	23.8	18.4	12.9	7.5
	57	28.3	3.4	28.3	28.3	28.3	22.9	17.5	12.0	26.2	3.6	26.2	26.2	26.2	20.7	15.3	9.9
1400	72	32.9	4.0	29.3	23.7	18.0	12.4	-	-	29.5	4.4	28.0	22.4	16.8	11.1	-	-
	67	28.1	4.0	28.1	28.1	25.3	19.6	14.0	-	24.1	4.3	24.1	24.1	23.7	18.1	12.4	-
	62	26.3	3.9	26.3	26.3	26.3	20.7	15.1	9.4	23.8	4.3	23.8	23.8	23.8	18.2	12.5	6.9
	57	28.3	3.5	28.3	28.3	28.3	22.7	17.1	11.4	26.2	3.6	26.2	26.2	26.2	20.5	14.9	9.3

1. These capacities are Net capacities.
2. These ratings include the compressor, condenser fan and supply air blower motors.

**UQ042 (3.5 Ton)**

Air on Evaporator Coil		Temperature of Air on Condenser Coil															
CFM	WB (°F)	Total Capacity <sup>1</sup> (MBh)	Total Input (kW) <sup>2</sup>	Sensible Capacity (MBh)						Total Capacity <sup>1</sup> (MBh)	Total Input (kW) <sup>2</sup>	Sensible Capacity (MBh)					
				Return Dry Bulb (°F)								Return Dry Bulb (°F)					
				90	85	80	75	70	65			90	85	80	75	70	65
				<b>75°F</b>						<b>85°F</b>							
875	77	51.6	2.7	23.5	18.7	14.6	-	-	-	48.4	3.0	20.7	17.6	13.5	-	-	-
	72	47.8	2.6	28.9	24.8	20.7	16.6	-	-	44.3	3.0	27.6	23.5	19.4	15.3	-	-
	67	44.1	2.6	34.3	30.9	26.8	22.7	18.6	-	40.2	3.0	34.4	29.3	25.3	21.2	17.1	-
	62	39.4	2.6	39.4	39.4	34.2	30.2	26.1	22.0	36.0	2.9	36.0	36.0	30.7	26.6	22.5	18.4
1050	77	53.7	2.7	26.0	21.0	16.1	-	-	-	50.2	3.1	24.9	19.9	14.9	-	-	-
	72	49.8	2.7	32.7	27.7	22.7	17.7	-	-	45.9	3.0	31.3	26.3	21.4	16.4	-	-
	67	45.9	2.7	39.4	34.4	29.4	24.4	19.4	-	41.7	3.0	37.8	32.8	27.8	22.8	17.9	-
	62	41.0	2.6	41.0	41.0	37.6	32.6	27.6	22.6	37.3	3.0	37.3	37.3	33.8	28.8	23.8	18.8
1225	77	55.8	2.8	28.6	23.4	17.5	-	-	-	52.0	3.1	29.0	22.2	16.3	-	-	-
	72	51.7	2.8	36.5	30.6	24.7	18.8	-	-	47.6	3.1	35.1	29.2	23.3	17.4	-	-
	67	47.7	2.7	44.4	37.8	32.0	26.1	20.2	-	43.2	3.1	41.3	36.3	30.4	24.5	18.6	-
	62	42.6	2.7	42.6	42.6	40.9	35.0	29.1	23.2	38.7	3.0	38.7	38.7	36.9	31.0	25.1	19.2
1400	77	57.9	2.8	31.2	25.7	18.9	-	-	-	53.8	3.2	33.1	24.4	17.6	-	-	-
	72	53.7	2.8	40.3	33.5	26.7	19.9	-	-	49.3	3.1	38.9	32.1	25.3	18.5	-	-
	67	49.5	2.8	49.5	41.3	34.5	27.7	20.9	-	44.7	3.1	44.7	39.8	33.0	26.2	19.4	-
	62	44.2	2.7	44.2	44.2	44.2	37.4	30.6	23.8	40.0	3.1	40.0	40.0	40.0	33.2	26.4	19.6
1575	72	52.6	3.0	43.4	35.7	27.9	20.2	-	-	48.7	3.4	42.0	34.3	26.5	18.8	-	-
	67	48.5	3.0	48.5	44.4	36.1	28.4	20.6	-	44.2	3.3	44.2	41.8	34.6	26.8	19.1	-
	62	43.3	2.9	43.3	43.3	43.3	35.5	27.8	20.0	39.6	3.3	39.6	39.6	39.6	31.8	24.1	16.3
	57	41.5	3.0	41.5	41.5	41.5	33.8	26.0	18.3	38.7	3.3	38.7	38.7	38.7	31.0	23.2	15.5
1750	72	51.5	3.2	46.5	37.8	29.1	20.4	-	-	48.2	3.6	45.2	36.5	27.8	19.1	-	-
	67	47.5	3.2	47.5	47.5	37.7	29.0	20.3	-	43.7	3.5	43.7	43.7	36.2	27.5	18.8	-
	62	42.4	3.2	42.4	42.4	42.4	33.7	25.0	16.3	39.1	3.5	39.1	39.1	39.1	30.5	21.8	13.1
	57	40.6	3.2	40.6	40.6	40.6	31.9	23.2	14.6	38.3	3.5	38.3	38.3	38.3	29.6	20.9	12.2
				<b>95°F</b>						<b>105°F</b>							
875	77	45.2	3.4	18.0	16.5	12.4	-	-	-	41.5	3.8	18.2	14.7	11.5	-	-	-
	72	40.7	3.4	26.2	22.1	18.1	14.0	-	-	37.2	3.8	25.1	21.0	16.9	12.8	-	-
	67	36.3	3.3	34.4	27.8	23.7	19.7	15.6	-	32.9	3.7	31.9	27.3	22.4	18.3	14.2	-
	62	32.6	3.3	32.6	32.6	27.1	23.0	19.0	14.9	30.1	3.7	30.1	30.1	24.6	20.5	16.4	12.3
1050	77	46.7	3.5	23.7	18.7	13.7	-	-	-	42.6	3.9	24.3	17.7	12.7	-	-	-
	72	42.1	3.4	30.0	25.0	20.0	15.0	-	-	38.2	3.8	28.7	23.7	18.7	13.8	-	-
	67	37.5	3.3	36.3	31.3	26.3	21.3	16.3	-	33.8	3.7	33.2	29.8	24.8	19.8	14.8	-
	62	33.7	3.3	33.7	33.7	30.0	25.0	20.1	15.1	30.9	3.7	30.9	30.9	27.2	22.2	17.2	12.3
1225	77	48.2	3.5	29.4	20.9	15.1	-	-	-	43.8	3.9	30.3	20.7	13.9	-	-	-
	72	43.5	3.4	33.7	27.8	22.0	16.1	-	-	39.2	3.8	32.4	26.5	20.6	14.7	-	-
	67	38.8	3.4	38.1	34.8	28.9	23.0	17.1	-	34.7	3.8	34.4	32.2	27.2	21.3	15.4	-
	62	34.8	3.4	34.8	34.8	33.0	27.1	21.2	15.3	31.7	3.8	31.7	31.7	29.9	24.0	18.1	12.2
1400	77	49.7	3.5	35.0	23.2	16.4	-	-	-	44.9	4.0	36.4	23.7	15.2	-	-	-
	72	44.9	3.5	37.5	30.7	23.9	17.1	-	-	40.2	3.9	36.0	29.2	22.4	15.6	-	-
	67	40.0	3.4	40.0	38.2	31.4	24.6	17.8	-	35.6	3.8	35.6	34.7	29.6	22.8	16.0	-
	62	35.9	3.4	35.9	35.9	35.9	29.1	22.3	15.5	32.5	3.8	32.5	32.5	32.5	25.7	18.9	12.1
1575	72	44.9	3.7	40.6	32.9	25.1	17.4	-	-	40.4	4.1	38.0	31.5	23.7	16.0	-	-
	67	40.0	3.6	40.0	39.1	33.1	25.3	17.6	-	35.7	4.0	35.7	35.2	31.4	23.6	15.9	-
	62	35.9	3.6	35.9	35.9	35.9	28.1	20.4	12.6	32.6	4.0	32.6	32.6	32.6	24.9	17.1	9.4
	57	36.0	3.6	36.0	36.0	36.0	28.2	20.5	12.7	33.0	4.0	33.0	33.0	33.0	25.2	17.5	9.7
1750	72	44.9	3.9	43.8	35.1	26.4	17.7	-	-	40.5	4.3	39.9	33.7	25.0	16.3	-	-
	67	40.0	3.9	40.0	40.0	34.7	26.0	17.3	-	35.8	4.3	35.8	35.8	33.1	24.4	15.7	-
	62	35.9	3.8	35.9	35.9	35.9	27.2	18.5	9.8	32.7	4.2	32.7	32.7	32.7	24.0	15.3	6.6
	57	36.0	3.8	36.0	36.0	36.0	27.3	18.6	9.9	33.1	4.2	33.1	33.1	33.1	24.4	15.7	7.0

**UQ042 (3.5 Ton) (Continued)**

Air on Evaporator Coil		Temperature of Air on Condenser Coil																
CFM	WB (°F)	Total Capacity <sup>1</sup> (MBh)	Total Input (kW) <sup>2</sup>	Sensible Capacity (MBh)							Total Capacity <sup>1</sup> (MBh)	Total Input (kW) <sup>2</sup>	Sensible Capacity (MBh)					
				Return Dry Bulb (°F)									Return Dry Bulb (°F)					
				90	85	80	75	70	65	90			85	80	75	70	65	
				<b>115°F</b>							<b>125°F</b>							
875	77	37.9	4.2	18.4	12.9	10.5	-	-	-	34.2	4.7	21.5	11.4	9.6	-	-	-	
	72	33.7	4.2	24.0	19.9	15.8	11.7	-	-	30.1	4.6	22.8	18.7	14.6	10.6	-	-	
	67	29.5	4.1	29.5	26.8	21.0	17.0	12.9	-	26.1	4.5	26.1	26.1	19.7	15.6	11.5	-	
	62	27.6	4.1	27.6	27.6	22.0	18.0	13.9	9.8	25.0	4.5	25.0	25.0	19.5	15.4	11.3	7.3	
1050	77	38.6	4.3	24.9	16.7	11.7	-	-	-	34.6	4.7	26.1	16.1	10.6	-	-	-	
	72	34.3	4.2	27.5	22.5	17.5	12.5	-	-	30.4	4.6	26.2	21.2	16.2	11.2	-	-	
	67	30.1	4.1	30.1	28.3	23.3	18.3	13.3	-	26.3	4.5	26.3	26.3	21.8	16.8	11.8	-	
	62	28.1	4.1	28.1	28.1	24.4	19.4	14.4	9.4	25.3	4.5	25.3	25.3	21.6	16.6	11.6	6.6	
	57	28.7	4.1	28.7	28.7	25.0	20.0	15.0	10.0	26.2	4.6	26.2	26.2	22.4	17.4	12.4	7.4	
1225	77	39.3	4.3	31.3	20.4	12.8	-	-	-	34.9	4.7	30.7	20.8	11.7	-	-	-	
	72	35.0	4.3	31.0	25.1	19.2	13.3	-	-	30.7	4.7	29.6	23.7	17.8	11.9	-	-	
	67	30.6	4.2	30.6	29.7	25.6	19.7	13.8	-	26.6	4.6	26.6	26.6	23.9	18.0	12.1	-	
	62	28.6	4.2	28.6	28.6	26.8	20.9	15.0	9.1	25.5	4.6	25.5	25.5	23.7	17.8	11.9	6.0	
	57	29.3	4.2	29.3	29.3	27.4	21.5	15.6	9.7	26.5	4.6	26.5	26.5	24.6	18.7	12.8	6.9	
1400	77	40.1	4.4	37.8	24.2	13.9	-	-	-	35.3	4.8	35.3	25.6	12.7	-	-	-	
	72	35.6	4.3	34.5	27.7	20.9	14.1	-	-	31.0	4.7	31.0	26.2	19.4	12.6	-	-	
	67	31.2	4.2	31.2	31.2	27.8	21.0	14.2	-	26.8	4.6	26.8	26.8	26.0	19.2	12.4	-	
	62	29.2	4.2	29.2	29.2	29.2	22.4	15.5	8.7	25.8	4.6	25.8	25.8	25.8	19.0	12.2	5.4	
	57	29.8	4.2	29.8	29.8	29.8	23.0	16.2	9.4	26.7	4.6	26.7	26.7	26.7	19.9	13.1	6.3	
1575	72	35.9	4.5	35.3	30.0	22.3	14.5	-	-	31.4	4.9	31.4	28.6	20.9	13.1	-	-	
	67	31.4	4.4	31.4	31.4	29.7	22.0	14.2	-	27.1	4.8	27.1	27.1	27.1	20.3	12.5	-	
	62	29.3	4.4	29.3	29.3	29.3	21.6	13.8	6.1	26.1	4.8	26.1	26.1	26.1	18.3	10.6	2.8	
	57	30.0	4.4	30.0	30.0	30.0	22.3	14.5	6.8	27.0	4.9	27.0	27.0	27.0	19.3	11.5	3.8	
1750	72	36.1	4.7	36.1	32.4	23.7	15.0	-	-	31.7	5.1	31.7	31.0	22.3	13.6	-	-	
	67	31.6	4.7	31.6	31.6	31.6	22.9	14.2	-	27.4	5.1	27.4	27.4	27.4	21.3	12.6	-	
	62	29.5	4.6	29.5	29.5	29.5	20.8	12.1	3.4	26.3	5.1	26.3	26.3	26.3	17.6	8.9	0.2	
	57	30.2	4.7	30.2	30.2	30.2	21.5	12.8	4.1	27.3	5.1	27.3	27.3	27.3	18.6	9.9	1.2	

1. These capacities are Net capacities.
2. These ratings include the compressor, condenser fan and supply air blower motors.

**UQ048 (4.0 Ton)**

Air on Evaporator Coil		Temperature of Air on Condenser Coil															
CFM	WB (°F)	Total Capacity <sup>1</sup> (MBh)	Total Input (kW) <sup>2</sup>	Sensible Capacity (MBh)						Total Capacity <sup>1</sup> (MBh)	Total Input (kW) <sup>2</sup>	Sensible Capacity (MBh)					
				Return Dry Bulb (°F)								Return Dry Bulb (°F)					
				90	85	80	75	70	65			90	85	80	75	70	65
				<b>75°F</b>						<b>85°F</b>							
1000	77	63.1	2.9	28.3	23.1	18.4	-	-	-	57.4	3.3	24.5	21.0	16.3	-	-	-
	72	57.2	2.9	34.2	29.5	24.9	20.2	-	-	51.7	3.3	32.0	27.3	22.7	18.0	-	-
	67	51.3	2.9	40.1	36.0	31.3	26.6	22.0	-	46.1	3.3	39.5	33.7	29.0	24.3	19.7	-
	62	46.2	2.8	46.2	46.2	40.3	35.6	30.9	26.3	41.4	3.2	41.4	41.4	35.3	30.7	26.0	21.3
1200	77	64.6	3.0	31.2	25.5	19.8	-	-	-	59.0	3.4	29.2	23.5	17.8	-	-	-
	72	58.5	3.0	38.1	32.4	26.7	21.0	-	-	53.3	3.4	36.2	30.5	24.8	19.1	-	-
	67	52.5	3.0	45.0	39.3	33.6	27.9	22.2	-	47.5	3.4	43.1	37.4	31.7	26.0	20.3	-
	62	47.3	2.9	47.3	47.3	43.3	37.6	31.9	26.2	42.6	3.3	42.6	42.6	38.6	32.9	27.2	21.4
1400	77	66.0	3.1	34.2	28.0	21.2	-	-	-	60.7	3.5	34.0	26.1	19.3	-	-	-
	72	59.8	3.1	42.0	35.3	28.6	21.8	-	-	54.8	3.5	40.3	33.6	26.8	20.1	-	-
	67	53.6	3.1	49.9	42.6	35.9	29.2	22.4	-	48.8	3.5	46.6	41.1	34.3	27.6	20.9	-
	62	48.3	3.0	48.3	48.3	46.4	39.6	32.9	26.1	43.8	3.4	43.8	43.8	41.8	35.1	28.3	21.6
1600	77	67.5	3.2	37.1	30.4	22.6	-	-	-	62.4	3.6	38.7	28.6	20.8	-	-	-
	72	61.1	3.2	46.0	38.2	30.4	22.6	-	-	56.3	3.6	44.5	36.7	28.9	21.1	-	-
	67	54.8	3.2	54.8	46.0	38.2	30.4	22.7	-	50.2	3.6	50.2	44.8	37.0	29.2	21.4	-
	62	49.4	3.1	49.4	49.4	49.4	41.6	33.9	26.1	45.0	3.5	45.0	45.0	45.0	37.3	29.5	21.7
1800	77	62.6	3.4	51.1	42.2	33.4	24.5	-	-	56.3	3.8	48.4	39.6	30.7	21.9	-	-
	72	56.1	3.4	56.1	51.7	42.0	33.1	24.3	-	50.2	3.8	50.2	47.5	39.3	30.4	21.6	-
	67	50.5	3.3	50.5	50.5	50.5	41.7	32.8	24.0	45.1	3.7	45.1	45.1	45.1	36.2	27.4	18.5
	62	47.0	3.3	47.0	47.0	47.0	38.2	29.3	20.5	43.0	3.7	43.0	43.0	43.0	34.1	25.3	16.4
2000	77	64.0	3.6	56.2	46.2	36.3	26.4	-	-	56.4	4.0	52.4	42.4	32.5	22.6	-	-
	72	57.3	3.6	57.3	57.3	45.7	35.8	25.8	-	50.3	4.0	50.3	50.3	41.6	31.6	21.7	-
	67	51.6	3.5	51.6	51.6	51.6	41.7	31.8	21.8	45.1	3.9	45.1	45.1	45.1	35.2	25.2	15.3
	62	48.1	3.5	48.1	48.1	48.1	38.2	28.3	18.3	43.0	3.9	43.0	43.0	43.0	33.1	23.1	13.2
				<b>95°F</b>						<b>105°F</b>							
1000	77	51.6	3.7	20.7	18.9	14.2	-	-	-	47.1	4.2	21.0	16.8	13.1	-	-	-
	72	46.3	3.7	29.8	25.2	20.5	15.8	-	-	42.0	4.2	28.4	23.8	19.1	14.4	-	-
	67	40.9	3.6	39.0	31.4	26.7	22.1	17.4	-	36.8	4.2	35.9	30.7	25.0	20.4	15.7	-
	62	36.5	3.6	36.5	36.5	30.4	25.7	21.0	16.4	33.6	4.1	33.6	33.6	27.5	22.8	18.1	13.5
1200	77	53.5	3.8	27.3	21.6	15.9	-	-	-	48.6	4.3	27.9	20.3	14.6	-	-	-
	72	48.0	3.8	34.2	28.5	22.8	17.1	-	-	43.3	4.3	32.6	26.9	21.2	15.5	-	-
	67	42.5	3.8	41.2	35.5	29.8	24.0	18.3	-	38.0	4.3	37.3	33.5	27.8	22.1	16.4	-
	62	37.9	3.7	37.9	37.9	33.8	28.1	22.4	16.7	34.6	4.2	34.6	34.6	30.5	24.8	19.1	13.4
1400	77	55.5	3.9	33.8	24.2	17.5	-	-	-	50.0	4.4	34.9	23.8	16.1	-	-	-
	72	49.7	3.9	38.6	31.9	25.1	18.4	-	-	44.5	4.4	36.8	30.1	23.3	16.6	-	-
	67	44.0	3.9	43.4	39.5	32.8	26.0	19.3	-	39.1	4.4	38.8	36.4	30.6	23.9	17.2	-
	62	39.3	3.8	39.3	39.3	37.2	30.5	23.8	17.0	35.7	4.3	35.7	35.7	33.6	26.9	20.1	13.4
1600	77	57.4	4.0	40.4	26.8	19.1	-	-	-	51.4	4.5	41.9	27.3	17.5	-	-	-
	72	51.5	4.0	43.0	35.2	27.4	19.7	-	-	45.8	4.5	41.0	33.3	25.5	17.7	-	-
	67	45.6	4.0	45.6	43.6	35.8	28.0	20.2	-	40.2	4.5	40.2	39.2	33.4	25.7	17.9	-
	62	40.7	3.9	40.7	40.7	40.7	32.9	25.1	17.3	36.7	4.4	36.7	36.7	36.7	28.9	21.1	13.3
1800	77	59.9	3.9	39.9	39.9	39.9	32.2	24.4	16.6	36.3	4.4	36.3	36.3	36.3	28.5	20.7	12.9
	72	50.1	4.2	45.8	36.9	28.1	19.2	-	-	45.4	4.7	43.0	35.6	26.7	17.8	-	-
	67	44.4	4.2	44.4	43.4	36.6	27.8	18.9	-	39.9	4.7	39.9	39.4	35.0	26.2	17.3	-
	62	39.6	4.1	39.6	39.6	39.6	30.7	21.9	13.0	36.4	4.6	36.4	36.4	36.4	27.5	18.7	9.8
2000	77	38.9	4.1	38.9	38.9	38.9	30.0	21.2	12.3	36.0	4.6	36.0	36.0	36.0	27.1	18.2	9.4
	72	48.8	4.4	48.6	38.6	28.7	18.8	-	-	45.0	4.9	44.9	37.8	27.9	18.0	-	-
	67	43.2	4.3	43.2	43.2	37.4	27.5	17.6	-	39.5	4.8	39.5	39.5	36.6	26.7	16.8	-
	62	38.5	4.3	38.5	38.5	38.5	28.6	18.7	8.7	36.1	4.8	36.1	36.1	36.1	26.1	16.2	6.3
57	37.8	4.3	37.8	37.8	37.8	27.9	18.0	8.0	35.7	4.8	35.7	35.7	35.7	25.7	15.8	5.9	

**UQ048 (4.0 Ton) (Continued)**

Air on Evaporator Coil		Temperature of Air on Condenser Coil																	
CFM	WB (°F)	Total Capacity <sup>1</sup> (MBh)	Total Input (kW) <sup>2</sup>	Sensible Capacity (MBh)						Total Capacity <sup>1</sup> (MBh)	Total Input (kW) <sup>2</sup>	Sensible Capacity (MBh)							
				Return Dry Bulb (°F)								Return Dry Bulb (°F)							
				90	85	80	75	70	65			90	85	80	75	70	65		
		<b>115°F</b>						<b>125°F</b>											
1000	77	42.7	4.7	21.3	14.7	12.0	-	-	-	38.3	5.3	25.2	13.2	10.9	-	-	-		
	72	37.7	4.7	27.0	22.3	17.7	13.0	-	-	33.5	5.2	25.6	20.9	16.3	11.6	-	-		
	67	32.8	4.7	32.8	30.0	23.4	18.7	14.0	-	28.7	5.2	28.7	28.7	21.7	17.0	12.4	-		
	62	30.7	4.6	30.7	30.7	24.6	19.9	15.2	10.6	27.8	5.1	27.8	27.8	21.6	17.0	12.3	7.6		
1200	77	43.6	4.9	28.6	19.0	13.3	-	-	-	38.7	5.4	30.0	18.6	12.1	-	-	-		
	72	38.5	4.8	31.0	25.3	19.6	13.9	-	-	33.8	5.3	29.5	23.7	18.0	12.3	-	-		
	67	33.5	4.8	33.5	31.6	25.9	20.2	14.5	-	28.9	5.3	28.9	28.9	24.0	18.3	12.6	-		
	62	31.4	4.7	31.4	31.4	27.3	21.6	15.9	10.1	28.1	5.2	28.1	28.1	24.0	18.3	12.6	6.9		
	57	31.3	4.8	31.3	31.3	27.2	21.5	15.8	10.1	28.3	5.3	28.3	28.3	24.2	18.4	12.7	7.0		
1400	77	44.5	5.0	36.0	23.4	14.6	-	-	-	39.1	5.5	34.7	23.9	13.2	-	-	-		
	72	39.3	4.9	35.1	28.3	21.6	14.8	-	-	34.2	5.4	33.3	26.6	19.8	13.1	-	-		
	67	34.1	4.9	34.1	33.2	28.5	21.8	15.0	-	29.2	5.4	29.2	29.2	26.4	19.7	12.9	-		
	62	32.0	4.8	32.0	32.0	30.0	23.2	16.5	9.7	28.4	5.3	28.4	28.4	26.3	19.6	12.8	6.1		
	57	31.9	4.9	31.9	31.9	29.9	23.1	16.4	9.6	28.6	5.4	28.6	28.6	26.5	19.8	13.0	6.3		
1600	77	45.5	5.1	43.3	27.8	16.0	-	-	-	39.5	5.6	39.5	29.2	14.4	-	-	-		
	72	40.2	5.0	39.1	31.3	23.5	15.8	-	-	34.5	5.5	34.5	29.4	21.6	13.8	-	-		
	67	34.8	5.0	34.8	34.8	31.1	23.3	15.5	-	29.5	5.5	29.5	29.5	28.7	21.0	13.2	-		
	62	32.7	4.9	32.7	32.7	32.7	24.9	17.1	9.3	28.7	5.4	28.7	28.7	28.7	20.9	13.1	5.3		
	57	32.6	5.0	32.6	32.6	32.6	24.8	17.0	9.2	28.9	5.5	28.9	28.9	28.9	21.1	13.3	5.5		
1800	72	40.7	5.2	40.2	34.2	25.3	16.5	-	-	36.0	5.7	36.0	32.8	24.0	15.1	-	-		
	67	35.3	5.2	35.3	35.3	33.5	24.6	15.8	-	30.8	5.7	30.8	30.8	30.8	23.0	14.2	-		
	62	33.1	5.1	33.1	33.1	33.1	24.3	15.4	6.6	29.9	5.6	29.9	29.9	29.9	21.1	12.2	3.3		
	57	33.0	5.2	33.0	33.0	33.0	24.2	15.3	6.5	30.1	5.7	30.1	30.1	30.1	21.2	12.4	3.5		
2000	72	41.3	5.4	41.3	37.1	27.1	17.2	-	-	37.6	5.9	37.6	36.3	26.4	16.4	-	-		
	67	35.9	5.3	35.9	35.9	35.9	25.9	16.0	-	32.2	5.8	32.2	32.2	32.2	25.1	15.2	-		
	62	33.6	5.3	33.6	33.6	33.6	23.7	13.7	3.8	31.1	5.8	31.1	31.1	31.1	21.2	11.3	1.3		
	57	33.5	5.3	33.5	33.5	33.5	23.6	13.6	3.7	31.3	5.9	31.3	31.3	31.3	21.4	11.5	1.5		

1. These capacities are Net capacities.
2. These ratings include the compressor, condenser fan and supply air blower motors.

**UQ060 (5.0 Ton)**

Air on Evaporator Coil		Temperature of Air on Condenser Coil															
CFM	WB (°F)	Total Capacity <sup>1</sup> (MBh)	Total Input (kW) <sup>2</sup>	Sensible Capacity (MBh)						Total Capacity <sup>1</sup> (MBh)	Total Input (kW) <sup>2</sup>	Sensible Capacity (MBh)					
				Return Dry Bulb (°F)								Return Dry Bulb (°F)					
				90	85	80	75	70	65			90	85	80	75	70	65
				<b>75°F</b>						<b>85°F</b>							
1350	77	74.4	3.9	28.7	23.0	17.3	-	-	-	65.9	4.4	28.8	23.6	18.4	-	-	-
	72	65.5	3.9	37.1	31.4	25.7	20.0	-	-	59.5	4.4	36.5	31.3	26.1	20.9	-	-
	67	56.6	3.8	45.5	39.8	34.1	28.4	22.8	-	53.0	4.3	44.2	39.0	33.8	28.6	23.4	-
	62	54.2	3.8	54.2	52.9	39.8	34.1	28.4	22.8	49.3	4.3	49.3	48.6	40.9	35.7	30.5	25.3
1500	77	75.1	4.0	30.6	24.9	19.2	-	-	-	67.0	4.5	31.2	25.5	19.8	-	-	-
	72	66.1	4.0	39.9	34.1	28.4	22.7	-	-	60.5	4.4	39.5	33.8	28.0	22.3	-	-
	67	57.1	3.9	49.1	43.4	37.6	31.9	26.2	-	54.0	4.4	47.8	42.1	36.3	30.6	24.9	-
	62	54.6	3.9	54.6	53.8	44.0	38.3	32.5	26.8	50.2	4.4	50.2	49.7	44.0	38.3	32.6	26.8
57	50.0	3.9	50.0	50.0	42.4	36.7	30.9	25.2	47.7	4.3	47.7	47.7	43.2	37.5	31.8	26.0	
1650	77	75.8	4.1	32.6	26.8	21.0	-	-	-	68.2	4.6	33.7	27.4	21.2	-	-	-
	72	66.6	4.1	42.7	36.9	31.1	25.3	-	-	61.6	4.5	42.5	36.3	30.0	23.8	-	-
	67	57.5	4.0	52.7	46.9	41.2	35.4	29.6	-	54.9	4.5	51.4	45.1	38.9	32.6	26.4	-
	62	55.1	4.0	55.1	54.6	48.2	42.4	36.6	30.8	51.1	4.5	51.1	50.8	47.1	40.9	34.6	28.4
57	50.4	4.0	50.4	50.4	46.5	40.7	34.9	29.1	48.6	4.4	48.6	48.6	46.3	40.0	33.7	27.5	
1800	77	76.4	4.2	34.6	28.7	22.9	-	-	-	69.4	4.7	36.1	29.3	22.6	-	-	-
	72	67.2	4.2	45.5	39.6	33.8	27.9	-	-	62.6	4.6	45.6	38.8	32.0	25.2	-	-
	67	57.9	4.1	56.4	50.5	44.7	38.8	33.0	-	55.9	4.6	55.0	48.2	41.5	34.7	27.9	-
	62	55.5	4.1	55.5	55.5	52.4	46.5	40.6	34.8	51.9	4.5	51.9	51.9	50.2	43.4	36.7	29.9
57	50.7	4.1	50.7	50.7	50.5	44.7	38.8	33.0	49.4	4.5	49.4	49.4	49.3	42.5	35.7	29.0	
2150	72	69.0	4.5	51.3	42.4	33.6	24.8	-	-	63.7	4.9	50.5	41.9	33.4	24.8	-	-
	67	59.6	4.5	58.8	53.5	44.6	35.8	26.9	-	56.8	4.9	56.4	51.8	43.2	34.7	26.1	-
	62	57.1	4.4	57.1	57.1	55.5	46.7	37.9	29.0	52.8	4.8	52.8	52.8	51.9	43.4	34.8	26.3
	57	52.2	4.4	52.2	52.2	52.1	43.3	34.5	25.6	50.2	4.8	50.2	50.2	50.2	41.6	33.1	24.5
2500	72	70.9	4.8	57.1	45.3	33.5	21.7	-	-	64.7	5.2	55.4	45.1	34.8	24.4	-	-
	67	61.2	4.8	61.2	56.5	44.5	32.7	20.9	-	57.7	5.2	57.7	55.3	45.0	34.7	24.4	-
	62	58.6	4.7	58.6	58.6	58.6	46.8	35.1	23.3	53.7	5.1	53.7	53.7	53.7	43.3	33.0	22.7
	57	53.6	4.7	53.6	53.6	53.6	41.9	30.1	18.3	51.0	5.1	51.0	51.0	51.0	40.7	30.4	20.1
				<b>95°F</b>						<b>105°F</b>							
1350	77	57.3	4.9	28.9	24.1	19.4	-	-	-	52.3	5.4	27.7	22.7	17.6	-	-	-
	72	53.4	4.8	35.8	31.1	26.4	21.7	-	-	48.9	5.3	35.0	29.9	24.7	19.6	-	-
	67	49.4	4.8	42.8	38.1	33.4	28.7	24.0	-	45.6	5.3	42.2	37.0	31.9	26.8	21.7	-
	62	44.4	4.7	44.4	44.4	42.0	37.3	32.6	27.9	40.9	5.3	40.9	40.9	38.6	33.5	28.4	23.3
1500	77	59.0	5.0	31.8	26.1	20.4	-	-	-	53.9	5.5	30.1	24.2	18.5	-	-	-
	72	54.9	4.9	39.1	33.4	27.7	22.0	-	-	50.4	5.4	37.4	31.7	26.0	20.3	-	-
	67	50.9	4.9	46.4	40.7	35.0	29.3	23.6	-	46.9	5.4	44.7	39.2	33.5	27.8	22.1	-
	62	45.7	4.8	45.7	45.7	44.0	38.3	32.6	26.9	42.1	5.4	42.1	42.1	40.6	34.9	29.1	23.4
57	45.5	4.8	45.5	45.5	44.0	38.3	32.6	26.9	41.9	5.3	41.9	41.9	40.5	34.8	29.1	23.3	
1650	77	60.7	5.1	34.7	28.0	21.3	-	-	-	55.5	5.6	32.6	25.7	19.3	-	-	-
	72	56.5	5.0	42.4	35.7	29.0	22.3	-	-	51.9	5.5	39.8	33.5	27.2	20.9	-	-
	67	52.3	4.9	50.1	43.3	36.6	29.9	23.2	-	48.3	5.5	47.1	41.4	35.1	28.8	22.4	-
	62	47.0	4.9	47.0	47.0	46.1	39.4	32.6	25.9	43.3	5.5	43.3	43.3	42.5	36.2	29.9	23.5
57	46.8	4.9	46.8	46.8	46.0	39.3	32.6	25.9	43.1	5.4	43.1	43.1	42.4	36.1	29.8	23.5	
1800	77	62.4	5.2	37.7	30.0	22.3	-	-	-	57.0	5.7	35.0	27.1	20.2	-	-	-
	72	58.1	5.1	45.7	38.0	30.3	22.5	-	-	53.3	5.6	42.3	35.4	28.4	21.5	-	-
	67	53.8	5.0	53.7	46.0	38.3	30.5	22.8	-	49.7	5.6	49.6	43.6	36.7	29.7	22.8	-
	62	48.3	5.0	48.3	48.3	48.1	40.4	32.7	25.0	44.5	5.6	44.5	44.5	44.4	37.5	30.6	23.7
57	48.1	5.0	48.1	48.1	48.1	40.4	32.6	24.9	44.3	5.5	44.3	44.3	44.3	37.4	30.5	23.6	
2150	72	58.3	5.4	49.7	41.4	33.1	24.8	-	-	53.6	5.9	46.9	39.2	31.3	23.4	-	-
	67	54.0	5.3	53.9	50.1	41.9	33.6	25.3	-	49.9	5.9	49.9	46.9	40.3	32.5	24.6	-
	62	48.5	5.3	48.5	48.5	48.4	40.1	31.8	23.5	44.8	5.8	44.8	44.8	44.7	36.8	29.0	21.1
	57	48.3	5.3	48.3	48.3	48.3	40.0	31.7	23.4	44.6	5.8	44.6	44.6	44.6	36.7	28.8	20.9
2500	72	58.5	5.7	53.7	44.9	36.0	27.2	-	-	53.9	6.1	51.5	43.0	34.1	25.3	-	-
	67	54.2	5.6	54.2	54.2	45.5	36.7	27.8	-	50.2	6.1	50.2	50.2	44.0	35.2	26.3	-
	62	48.7	5.6	48.7	48.7	48.7	39.8	31.0	22.1	45.0	6.0	45.0	45.0	45.0	36.2	27.4	18.5
	57	48.4	5.6	48.4	48.4	48.4	39.6	30.7	21.8	44.8	6.0	44.8	44.8	44.8	36.0	27.1	18.3

**UQ060 (5.0 Ton) (Continued)**

Air on Evaporator Coil		Temperature of Air on Condenser Coil																	
CFM	WB (°F)	Total Capacity <sup>1</sup> (MBh)	Total Input (kW) <sup>2</sup>	Sensible Capacity (MBh)						Total Capacity <sup>1</sup> (MBh)	Total Input (kW) <sup>2</sup>	Sensible Capacity (MBh)							
				Return Dry Bulb (°F)								Return Dry Bulb (°F)							
				90	85	80	75	70	65			90	85	80	75	70	65		
		<b>115°F</b>						<b>125°F</b>											
1350	77	47.3	5.8	26.5	21.3	15.7	-	-	-	42.4	6.3	28.6	19.8	13.9	-	-	-		
	72	44.5	5.8	34.1	28.6	23.1	17.6	-	-	40.1	6.3	33.2	27.3	21.4	15.5	-	-		
	67	41.7	5.8	41.7	35.9	30.4	24.9	19.4	-	37.8	6.4	37.8	34.8	28.9	23.0	17.1	-		
	62	37.3	5.8	37.3	37.3	35.3	29.8	24.3	18.8	33.7	6.3	33.7	33.7	31.9	26.0	20.1	14.2		
1500	77	48.8	5.9	28.4	22.3	16.6	-	-	-	43.7	6.4	29.0	20.4	14.6	-	-	-		
	72	45.9	5.9	35.7	30.0	24.3	18.5	-	-	41.3	6.5	34.0	28.3	22.5	16.8	-	-		
	67	42.9	5.9	42.9	37.7	32.0	26.2	20.5	-	39.0	6.5	39.0	36.1	30.4	24.7	19.0	-		
	62	38.4	5.9	38.4	38.4	37.1	31.4	25.7	19.9	34.8	6.4	34.8	34.8	33.6	27.9	22.2	16.5		
	57	38.3	5.9	38.3	38.3	37.0	31.3	25.5	19.8	34.7	6.4	34.7	34.7	33.5	27.7	22.0	16.3		
1650	77	50.2	6.1	30.4	23.3	17.4	-	-	-	45.0	6.5	29.3	20.9	15.4	-	-	-		
	72	47.2	6.1	37.3	31.4	25.4	19.5	-	-	42.6	6.6	34.7	29.2	23.7	18.1	-	-		
	67	44.2	6.1	44.2	39.4	33.5	27.6	21.7	-	40.2	6.6	40.2	37.5	32.0	26.4	20.9	-		
	62	39.6	6.0	39.6	39.6	38.9	33.0	27.1	21.1	35.9	6.5	35.9	35.9	35.3	29.8	24.3	18.7		
	57	39.4	6.0	39.4	39.4	38.8	32.9	26.9	21.0	35.8	6.5	35.8	35.8	35.2	29.6	24.1	18.5		
1800	77	51.7	6.2	32.3	24.3	18.2	-	-	-	46.4	6.7	29.7	21.5	16.1	-	-	-		
	72	48.6	6.2	38.9	32.8	26.6	20.5	-	-	43.9	6.7	35.5	30.2	24.8	19.5	-	-		
	67	45.5	6.2	45.5	41.2	35.1	28.9	22.8	-	41.4	6.7	41.4	38.8	33.5	28.2	22.8	-		
	62	40.7	6.1	40.7	40.7	40.7	34.6	28.5	22.3	36.9	6.6	36.9	36.9	36.9	31.7	26.4	21.0		
	57	40.6	6.1	40.6	40.6	40.6	34.5	28.3	22.2	36.8	6.6	36.8	36.8	36.8	31.5	26.2	20.8		
2150	72	49.0	6.4	44.1	36.9	29.4	22.0	-	-	44.3	6.9	41.3	34.6	27.6	20.5	-	-		
	67	45.8	6.4	45.8	43.7	38.8	31.3	23.8	-	41.8	6.9	41.8	40.5	37.2	30.2	23.1	-		
	62	41.0	6.3	41.0	41.0	41.0	33.6	26.1	18.6	37.3	6.8	37.3	37.3	37.3	30.3	23.2	16.2		
	57	40.9	6.3	40.9	40.9	40.9	33.4	26.0	18.5	37.2	6.8	37.2	37.2	37.2	30.2	23.1	16.0		
2500	72	49.3	6.6	49.3	41.1	32.3	23.4	-	-	44.7	7.1	44.7	39.1	30.4	21.6	-	-		
	67	46.2	6.6	46.2	46.2	42.5	33.7	24.9	-	42.2	7.1	42.2	42.2	41.0	32.2	23.4	-		
	62	41.3	6.5	41.3	41.3	41.3	32.5	23.7	14.9	37.7	7.0	37.7	37.7	37.7	28.9	20.1	11.3		
	57	41.2	6.5	41.2	41.2	41.2	32.4	23.6	14.8	37.6	7.0	37.6	37.6	37.6	28.8	20.0	11.3		

1. These capacities are Net capacities.
2. These ratings include the compressor, condenser fan and supply air blower motors.



**Heating Capacities**

**UQ024-060**

Size (Tons)	Model	Air Over Evaporator Coil		Capacity & kW	Outdoor Temperature (°F @ 72% RH)							
		CFM	DB (°F)		-10	0	10	20	30	40	50	60
024 (2.0)	UQ	600	55	MBH	7.03	8.39	10.00	11.91	14.17	16.86	20.04	23.81
				KW	1.27	1.33	1.39	1.45	1.51	1.57	1.63	1.69
			70	MBH	6.20	7.56	9.17	11.08	13.34	16.03	19.21	22.98
				KW	1.47	1.53	1.59	1.65	1.71	1.77	1.83	1.89
		80	MBH	4.90	6.26	7.87	9.78	12.04	14.73	17.91	21.68	
			KW	1.67	1.73	1.79	1.85	1.91	1.97	2.03	2.09	
		800	55	MBH	8.18	9.54	11.15	13.06	15.32	18.01	21.19	24.96
				KW	1.17	1.23	1.29	1.35	1.41	1.47	1.53	1.59
			70	MBH	7.35	8.71	10.32	12.23	14.49	17.18	20.36	24.13
				KW	1.37	1.43	1.49	1.55	1.61	1.67	1.73	1.79
		1000	80	MBH	6.05	7.41	9.02	10.93	13.19	15.88	19.06	22.83
				KW	1.57	1.63	1.69	1.75	1.81	1.87	1.93	1.99
55	MBH		8.56	9.92	11.53	13.44	15.70	18.39	21.57	25.34		
	KW		1.14	1.20	1.26	1.32	1.38	1.44	1.50	1.56		
1000	70	MBH	7.73	9.09	10.70	12.61	14.87	17.56	20.74	24.51		
		KW	1.34	1.40	1.46	1.52	1.58	1.64	1.70	1.76		
	80	MBH	6.43	7.79	9.40	11.31	13.57	16.26	19.44	23.21		
		KW	1.54	1.60	1.66	1.72	1.78	1.84	1.90	1.96		
030 (2.5)	UQ	750	55	MBH	8.50	10.31	12.54	15.26	18.59	22.67	27.67	33.79
				KW	1.54	1.60	1.66	1.72	1.78	1.84	1.90	1.96
			70	MBH	6.95	8.76	10.99	13.71	17.04	21.12	26.12	32.24
				KW	2.05	2.11	2.17	2.23	2.29	2.35	2.41	2.47
		1000	80	MBH	6.25	8.06	10.29	13.01	16.34	20.42	25.42	31.54
				KW	2.21	2.27	2.33	2.39	2.45	2.51	2.57	2.63
			55	MBH	9.65	11.46	13.69	16.41	19.74	23.82	28.82	34.94
				KW	1.44	1.50	1.56	1.62	1.68	1.74	1.80	1.86
		1000	70	MBH	8.10	9.91	12.14	14.86	18.19	22.27	27.27	33.39
				KW	1.95	2.01	2.07	2.13	2.19	2.25	2.31	2.37
			80	MBH	7.40	9.21	11.44	14.16	17.49	21.57	26.57	32.69
				KW	2.11	2.17	2.23	2.29	2.35	2.41	2.47	2.53
1250	55	MBH	10.25	12.06	14.29	17.01	20.34	24.42	29.42	35.54		
		KW	1.48	1.54	1.60	1.66	1.72	1.78	1.84	1.90		
	70	MBH	8.70	10.51	12.74	15.46	18.79	22.87	27.87	33.99		
		KW	1.99	2.05	2.11	2.17	2.23	2.29	2.35	2.41		
1250	80	MBH	8.00	9.81	12.04	14.76	18.09	22.17	27.17	33.29		
		KW	2.15	2.21	2.27	2.33	2.39	2.45	2.51	2.57		
	55	MBH	9.45	11.66	14.32	17.54	21.42	26.11	31.77	38.60		
		KW	2.18	2.29	2.41	2.52	2.63	2.75	2.86	2.97		
036 (3.0)	UQ	900	70	MBH	8.15	10.36	13.02	16.24	20.12	24.81	30.47	37.30
				KW	2.49	2.60	2.72	2.83	2.94	3.06	3.17	3.28
			80	MBH	5.90	8.11	10.77	13.99	17.87	22.56	28.22	35.05
				KW	2.86	2.97	3.09	3.20	3.31	3.43	3.54	3.65
		1200	55	MBH	11.92	14.13	16.79	20.01	23.89	28.58	34.24	41.07
				KW	2.01	2.12	2.24	2.35	2.46	2.58	2.69	2.80
			70	MBH	10.62	12.83	15.49	18.71	22.59	27.28	32.94	39.77
				KW	2.32	2.43	2.55	2.66	2.77	2.89	3.00	3.11
		1500	80	MBH	8.37	10.58	13.24	16.46	20.34	25.03	30.69	37.52
				KW	2.69	2.80	2.92	3.03	3.14	3.26	3.37	3.48
			55	MBH	12.26	14.46	17.12	20.34	24.22	28.91	34.57	41.40
				KW	2.23	2.34	2.46	2.57	2.68	2.80	2.91	3.02
1500	70	MBH	10.96	13.16	15.82	19.04	22.92	27.61	33.27	40.10		
		KW	2.54	2.65	2.77	2.88	2.99	3.11	3.22	3.33		
	80	MBH	8.71	10.91	13.57	16.79	20.67	25.36	31.02	37.85		
		KW	2.91	3.02	3.14	3.25	3.36	3.48	3.59	3.70		

## UQ024-060 (Continued)

Size (Tons)	Model	Air Over Evaporator Coil		Capacity & kW	Outdoor Temperature (°F @ 72% RH)							
		CFM	DB (°F)		-10	0	10	20	30	40	50	60
042 (3.5)	UQ	1050	55	MBH	10.50	13.13	16.30	20.12	24.72	30.26	36.94	44.98
				KW	2.64	2.73	2.82	2.92	3.01	3.11	3.20	3.30
			70	MBH	10.55	13.18	16.35	20.17	24.77	30.31	36.99	45.03
				KW	2.87	2.96	3.05	3.15	3.24	3.34	3.43	3.53
			80	MBH	8.75	11.38	14.55	18.37	22.97	28.51	35.19	43.23
				KW	3.20	3.29	3.38	3.48	3.57	3.67	3.76	3.86
		1400	55	MBH	12.80	15.43	18.60	22.42	27.02	32.56	39.24	47.28
				KW	2.42	2.51	2.60	2.70	2.79	2.89	2.98	3.08
			70	MBH	12.85	15.48	18.65	22.47	27.07	32.61	39.29	47.33
				KW	2.65	2.74	2.83	2.93	3.02	3.12	3.21	3.31
			80	MBH	11.05	13.68	16.85	20.67	25.27	30.81	37.49	45.53
				KW	2.98	3.07	3.16	3.26	3.35	3.45	3.54	3.64
		1750	55	MBH	14.40	17.03	20.20	24.02	28.62	34.16	40.84	48.88
				KW	2.74	2.83	2.92	3.02	3.11	3.21	3.30	3.40
			70	MBH	14.45	17.08	20.25	24.07	28.67	34.21	40.89	48.93
				KW	2.97	3.06	3.15	3.25	3.34	3.44	3.53	3.63
			80	MBH	12.65	15.28	18.45	22.27	26.87	32.41	39.09	47.13
				KW	3.30	3.39	3.48	3.58	3.67	3.77	3.86	3.96
048 (4.0)	UQ	1200	55	MBH	15.23	18.18	21.69	25.86	30.81	36.70	43.70	52.01
				KW	2.67	2.76	2.85	2.94	3.04	3.13	3.22	3.31
			70	MBH	13.31	16.26	19.77	23.94	28.89	34.78	41.78	50.09
				KW	3.17	3.26	3.35	3.44	3.54	3.63	3.72	3.81
			80	MBH	11.18	14.13	17.64	21.81	26.76	32.65	39.65	47.96
				KW	3.51	3.60	3.69	3.78	3.88	3.97	4.06	4.15
		1600	55	MBH	17.58	20.53	24.04	28.21	33.16	39.05	46.05	54.36
				KW	2.64	2.73	2.82	2.91	3.01	3.10	3.19	3.28
			70	MBH	15.66	18.61	22.12	26.29	31.24	37.13	44.13	52.44
				KW	3.14	3.23	3.32	3.41	3.51	3.60	3.69	3.78
			80	MBH	13.53	16.48	19.99	24.16	29.11	35.00	42.00	50.31
				KW	3.48	3.57	3.66	3.75	3.85	3.94	4.03	4.12
		2000	55	MBH	19.93	22.88	26.39	30.56	35.51	41.40	48.40	56.71
				KW	2.82	2.91	3.00	3.09	3.19	3.28	3.37	3.46
			70	MBH	18.01	20.96	24.47	28.64	33.59	39.48	46.48	54.79
				KW	3.32	3.41	3.50	3.59	3.69	3.78	3.87	3.96
			80	MBH	15.88	18.83	22.34	26.51	31.46	37.35	44.35	52.66
				KW	3.66	3.75	3.84	3.93	4.03	4.12	4.21	4.30
060 (5.0)	UQ	1500	55	MBH	21.38	24.86	28.91	33.63	39.13	45.54	53.02	61.72
				KW	3.34	3.47	3.60	3.73	3.86	3.99	4.12	4.25
			70	MBH	18.08	21.56	25.61	30.33	35.83	42.24	49.72	58.42
				KW	3.84	3.97	4.10	4.23	4.36	4.49	4.62	4.75
			80	MBH	16.76	20.24	24.29	29.01	34.51	40.92	48.40	57.10
				KW	4.27	4.40	4.53	4.66	4.79	4.92	5.05	5.18
		2000	55	MBH	24.32	27.80	31.85	36.57	42.07	48.48	55.96	64.66
				KW	3.34	3.47	3.60	3.73	3.86	3.99	4.12	4.25
			70	MBH	21.02	24.50	28.55	33.27	38.77	45.18	52.66	61.36
				KW	3.84	3.97	4.10	4.23	4.36	4.49	4.62	4.75
			80	MBH	19.70	23.18	27.23	31.95	37.45	43.86	51.34	60.04
				KW	4.27	4.40	4.53	4.66	4.79	4.92	5.05	5.18
		2500	55	MBH	27.72	31.20	35.25	39.97	45.47	51.88	59.36	68.06
				KW	3.49	3.62	3.75	3.88	4.01	4.14	4.27	4.40
			70	MBH	24.42	27.90	31.95	36.67	42.17	48.58	56.06	64.76
				KW	3.99	4.12	4.25	4.38	4.51	4.64	4.77	4.90
			80	MBH	23.10	26.58	30.63	35.35	40.85	47.26	54.74	63.44
				KW	4.42	4.55	4.68	4.81	4.94	5.07	5.20	5.33

## Airflow Performance

Size (Tons)	Model	Unit Speed)	External Static Pressure (Inch Water Gauge)														
			0.2			0.4			0.6			0.8			1.0		
			SCFM	W	RPM	SCFM	W	RPM	SCFM	W	RPM	SCFM	W	RPM	SCFM	W	RPM
024 (2.0)	NM	Low	1048	398	862	1008	377	937	927	347	1005	813	310	1056	644	266	1100
		Medium	1273	491	980	1194	457	1028	1084	416	1064	944	374	1094	754	322	1119
		High	1410	572	1069	1302	532	1090	1160	487	1109	1002	444	1127	801	395	1142
	UQ	Low	786	113	709	720	127	803	653	141	893	560	156	1004	467	170	1115
		Low/Medium	889	149	760	831	163	843	757	179	939	703	191	1005	649	203	1072
		Medium	1037	223	840	984	237	911	914	253	993	857	264	1057	799	276	1121
	Medium/High	1185	297	920	1137	311	979	1071	326	1048	1010	338	1109	949	349	1170	
	High	1336	471	1031	1263	479	1081	1154	446	1114	1027	397	1133	853	340	1153	
030 (2.5)	NM	Low	1048	398	862	1008	377	937	927	347	1005	813	310	1056	644	266	1100
		Medium	1273	491	980	1194	457	1028	1084	416	1064	944	374	1094	754	322	1119
		High	1410	572	1069	1302	532	1090	1160	487	1109	1002	444	1127	801	395	1142
	UQ	Low	786	113	709	720	127	803	653	141	893	560	156	1004	467	170	1115
		Low/Medium	1003	196	822	950	210	891	886	225	966	820	240	1049	754	255	1132
		Medium	1115	262	883	1061	275	947	998	292	1021	916	293	1085	834	294	1150
	Medium/High	1227	327	945	1172	341	1003	1109	358	1076	1011	345	1121	913	332	1167	
	High	1336	471	1031	1263	479	1081	1154	446	1114	1027	397	1133	853	340	1153	
036 (3.0)	NM	Low	1048	398	862	1008	377	937	927	347	1005	813	310	1056	644	266	1100
		Medium	1273	491	980	1194	457	1028	1084	416	1064	944	374	1094	754	322	1119
		High	1410	572	1069	1302	532	1090	1160	487	1109	1002	444	1127	801	395	1142
	UQ	Low	1017	219	835	954	236	910	878	251	980	821	269	1053	751	281	1125
		Low/Medium	1166	306	912	1101	323	977	1037	338	1042	977	351	1102	833	321	1139
		Medium	1211	346	942	1135	362	1004	1073	375	1065	987	368	1113	837	325	1143
	Medium/High	1255	385	971	1169	400	1030	1109	412	1087	996	384	1123	841	328	1146	
	High	1336	471	1031	1263	479	1081	1154	446	1114	1027	397	1133	853	340	1153	
042 (3.5)	NM	Low	1095	233	853	1037	255	936	979	269	1003	904	283	1079	829	297	1154
		Low/Medium	1161	276	897	1104	298	973	1043	312	1040	978	325	1105	913	337	1171
		Medium	1166	306	912	1101	323	977	1037	338	1042	977	351	1102	833	321	1139
	UQ	Medium/High	1255	385	971	1169	400	1030	1109	412	1087	996	384	1123	841	328	1146
		High	1336	471	1031	1263	479	1081	1154	446	1114	1027	397	1133	853	340	1153
048 (4.0)	NM	Low	1264	206	684	1160	228	763	968	258	875	871	274	927	774	290	979
		Low/Medium	1307	227	706	1212	249	780	1060	277	878	924	300	947	788	323	1016
		Medium	1340	250	726	1245	274	803	1100	311	900	996	329	967	892	347	1034
	UQ	Medium/High	1854	554	898	1776	583	957	1695	617	1022	1612	643	1077	1529	669	1132
		High	2250	944	1039	2175	964	1081	2034	912	1114	1827	822	1136	1620	732	1158
060 (5.0)	NM	Low	1260	275	807	1096	313	915	910	336	992	804	355	1057	774	290	979
		Low/Medium	1471	375	870	1338	415	968	1118	455	1079	963	474	1110	788	323	1016
		Medium	1546	394	865	1391	439	975	1187	479	1080	1062	501	1088	892	347	1034
	UQ	Medium/High	1597	434	893	1460	476	989	1277	518	995	1079	515	1050	1529	669	1132
		High	2227	978	1086	1976	889	1129	1677	757	1151	1827	822	1136	1620	732	1158
060 (5.0)	NM	Low	1368	331	849	1229	369	953	1015	397	1045	898	420	1106	781	443	1167
		Low/Medium	1546	394	865	1391	439	975	1187	479	1080	1062	501	1088	937	523	1096
		Medium	1612	480	923	1488	522	1018	1318	570	1127	1059	515	1157	-	-	-
	UQ	Medium/High	1922	687	995	1804	732	928	1566	682	1140	1121	542	1160	-	-	-
		High	2227	978	1086	1976	889	1129	1677	757	1151	-	-	-	-	-	-
060 (5.0)	UQ	Low	1368	331	849	1229	369	953	1015	397	1045	898	420	1106	781	443	1167
		Low/Medium	1612	480	923	1488	522	1018	1318	570	1127	1059	515	1157	-	-	-
		Medium	1849	647	990	1734	688	1072	1519	662	1136	1090	535	1161	-	-	-
		Medium/High	2033	820	1050	1856	808	1115	1546	684	1145	1065	535	1166	-	-	-
		High	2227	978	1086	1976	889	1129	1677	757	1151	-	-	-	-	-	-

## Additional Static Resistance

Size (Tons)	Model	CFM	Wet Indoor Coil	Electric Heat, kW			
				5	6.5	10	15
024 (2.0)	NM UQ	400	0.05	0.05	0.05	0.06	0.07
		500	0.06	0.06	0.06	0.07	0.08
		600	0.07	0.07	0.07	0.08	0.09
		700	0.08	0.08	0.08	0.09	0.10
		800	0.09	0.09	0.09	0.10	0.12
		900	0.1	0.10	0.10	0.11	0.13
		1000	0.12	0.12	0.12	0.13	0.15
		1100	0.13	0.13	0.13	0.14	0.17
		1200	0.15	0.15	0.15	0.16	0.19
		1300	0.17	0.17	0.17	0.18	0.21
030 (2.5)	NM UQ	400	0.05	0.05	0.05	0.06	0.07
		500	0.06	0.06	0.06	0.07	0.08
		600	0.07	0.07	0.07	0.08	0.09
		700	0.08	0.08	0.08	0.09	0.10
		800	0.09	0.09	0.09	0.10	0.12
		900	0.1	0.10	0.10	0.11	0.13
		1000	0.12	0.12	0.12	0.13	0.15
		1100	0.13	0.13	0.13	0.14	0.17
		1200	0.15	0.15	0.15	0.16	0.19
		1300	0.17	0.17	0.17	0.18	0.21
036 (3.0)	NM UQ	400	0.05	0.05	0.05	0.06	0.07
		500	0.06	0.06	0.06	0.07	0.08
		600	0.07	0.07	0.07	0.08	0.09
		700	0.08	0.08	0.08	0.09	0.10
		800	0.09	0.09	0.09	0.10	0.12
		900	0.1	0.10	0.10	0.11	0.13
		1000	0.12	0.12	0.12	0.13	0.15
		1100	0.13	0.13	0.13	0.14	0.17
		1200	0.15	0.15	0.15	0.16	0.19
		1300	0.17	0.17	0.17	0.18	0.21
042 (3.5)	NM	400	0.05	0.05	0.05	0.06	0.07
		500	0.06	0.06	0.06	0.07	0.08
		600	0.07	0.07	0.07	0.08	0.09
		700	0.08	0.08	0.08	0.09	0.10
		800	0.09	0.09	0.09	0.10	0.12
		900	0.1	0.10	0.10	0.11	0.13
		1000	0.12	0.12	0.12	0.13	0.15
		1100	0.13	0.13	0.13	0.14	0.17
		1200	0.15	0.15	0.15	0.16	0.19
		1300	0.17	0.17	0.17	0.18	0.21
042 (3.5)	UQ	1400	0.19	0.19	0.19	0.20	0.23
		500	0.09	0.09	0.09	0.10	0.12
		600	0.1	0.10	0.10	0.11	0.13
		700	0.12	0.12	0.12	0.13	0.15
		800	0.13	0.13	0.13	0.14	0.17
		900	0.15	0.15	0.15	0.16	0.19
		1000	0.17	0.17	0.17	0.18	0.21
		1100	0.19	0.19	0.19	0.20	0.23
		1200	0.21	0.21	0.21	0.22	0.25
		1300	0.23	0.23	0.23	0.24	0.27
		1400	0.25	0.25	0.25	0.26	0.29
		1500	0.27	0.27	0.27	0.28	0.31
		1600	0.29	0.29	0.29	0.30	0.33
		1700	0.31	0.31	0.31	0.32	0.35
1800	0.33	0.33	0.33	0.34	0.37		
1900	0.35	0.35	0.35	0.36	0.39		
2000	0.37	0.37	0.37	0.38	0.41		
2100	0.39	0.39	0.39	0.40	0.43		
2200	0.41	0.41	0.41	0.42	0.45		

**Additional Static Resistance (Continued)**

Size (Tons)	Model	CFM	Wet Indoor Coil	Electric Heat, kW			
				5	6.5	10	15
048 (4.0)	NM	800	0.09	0.09	0.09	0.10	0.12
		900	0.1	0.10	0.10	0.11	0.13
		1000	0.12	0.12	0.12	0.13	0.15
		1100	0.13	0.13	0.13	0.14	0.17
		1200	0.15	0.15	0.15	0.16	0.19
		1300	0.17	0.17	0.17	0.18	0.21
		1400	0.19	0.19	0.19	0.20	0.23
		1500	0.21	0.21	0.21	0.22	0.25
		1600	0.23	0.23	0.23	0.24	0.27
		1700	0.25	0.25	0.25	0.26	0.29
		1800	0.27	0.27	0.27	0.28	0.31
		1900	0.29	0.29	0.29	0.30	0.33
	UQ	2000	0.31	0.31	0.31	0.32	0.35
		2100	0.33	0.33	0.33	0.34	0.37
		2200	0.35	0.35	0.35	0.36	0.39
		500	0.09	0.09	0.09	0.10	0.12
		600	0.1	0.10	0.10	0.11	0.13
		700	0.12	0.12	0.12	0.13	0.15
		800	0.13	0.13	0.13	0.14	0.17
		900	0.15	0.15	0.15	0.16	0.19
		1000	0.17	0.17	0.17	0.18	0.21
		1100	0.19	0.19	0.19	0.20	0.23
060 (5.0)	NM	1200	0.21	0.21	0.21	0.22	0.25
		1300	0.23	0.23	0.23	0.24	0.27
		1400	0.25	0.25	0.25	0.26	0.29
		1500	0.27	0.27	0.27	0.28	0.31
		1600	0.29	0.29	0.29	0.30	0.33
		1700	0.31	0.31	0.31	0.32	0.35
		1800	0.33	0.33	0.33	0.34	0.37
		1900	0.35	0.35	0.35	0.36	0.39
		2000	0.37	0.37	0.37	0.38	0.41
		2100	0.39	0.39	0.39	0.40	0.43
		2200	0.41	0.41	0.41	0.42	0.45
		UQ	500	0.09	0.09	0.09	0.10
	600		0.1	0.10	0.10	0.11	0.13
	700		0.12	0.12	0.12	0.13	0.15
	800		0.13	0.13	0.13	0.14	0.17
	900		0.15	0.15	0.15	0.16	0.19
	1000		0.17	0.17	0.17	0.18	0.21
	1100		0.19	0.19	0.19	0.20	0.23
	1200		0.21	0.21	0.21	0.22	0.25
	1300		0.23	0.23	0.23	0.24	0.27
	1400		0.25	0.25	0.25	0.26	0.29
	1500	0.27	0.27	0.27	0.28	0.31	
1600	0.29	0.29	0.29	0.30	0.33		
1700	0.31	0.31	0.31	0.32	0.35		
1800	0.33	0.33	0.33	0.34	0.37		
1900	0.35	0.35	0.35	0.36	0.39		
2000	0.37	0.37	0.37	0.38	0.41		
2100	0.39	0.39	0.39	0.40	0.43		
2200	0.41	0.41	0.41	0.42	0.45		

**Electric Heat Minimum Supply Air**

Size (Tons)	Model	Voltage	Minimum Supply Air (CFM)			
			Heater kW			
			5.0	6.5	10	15
024 (2.0)	NM	208/230-1-60	800	800	800	775
030 (2.5)	NM	208/230-1-60	800	800	800	775
036 (3.0)	NM	208/230-1-60	800	800	800	775
042 (3.5)	NM	208/230-1-60	800	800	800	775
048 (4.0)	NM	208/230-1-60	1300	1300	1270	1160
060 (5.0)	NM	208/230-1-60	1300	1300	1270	1160
024 (2.0)	UQ	208/230-1-60	800	800	800	750
030 (2.5)	UQ	208/230-1-60	800	800	800	750
036 (3.0)	UQ	208/230-1-60	800	800	800	750
042 (3.5)	UQ	208/230-1-60	1300	1300	1270	1270
048 (4.0)	UQ	208/230-1-60	1300	1300	1270	1270
060 (5.0)	UQ	208/230-1-60	1300	1300	1270	1270

**Indoor Blower Specifications**

Size (Tons)	Model	Motor				
		HP	RPM	Eff.	SF	Frame
024 (2.0)	UM	1/2	1075	0.8	1.0	48
030 (2.5)	UM	1/2	1075	0.8	1.0	48
036 (3.0)	UM	1/2	1075	0.8	1.0	48
042 (3.5)	UM	1/2	1100	0.8	1.0	48
048 (4.0)	UM	1	1100	0.8	1.0	48
060 (5.0)	UM	1	1100	0.8	1.0	48
024 (2.0)	UQ	1/2	1100	0.8	1.0	48
030 (2.5)	UQ	1/2	1100	0.8	1.0	48
036 (3.0)	UQ	1/2	1100	0.8	1.0	48
042 (3.5)	UQ	1	1100	0.8	1.0	48
048 (4.0)	UQ	1	1100	0.8	1.0	48
060 (5.0)	UQ	1	1100	0.8	1.0	48

**Electric Heat Multipliers**

Voltage		kW Capacity Multipliers <sup>1</sup>
Nominal	Applied	
240	208	0.75
	230	0.92

1. Electric heaters are rated at nominal voltage. Use this table to determine the electric heat capacity for heaters applied at lower voltages.

## Sound Performance

### Outdoor Sound Power Levels

Size (Tons)	Model	Sound Rating <sup>1</sup> dB (A)	Octave Band Centerline Frequency (Hz)						
			125	250	500	1000	2000	4000	8000
024 (2.0)	NM	76	56.7	62.8	68.6	71.5	69.6	65.4	58.4
	UQ	82	61.5	77.7	68.4	76.3	76.5	73.5	61.1
030 (2.5)	NM	78	61.1	67.5	71.2	72.3	69.4	70.0	59.5
	UQ	81	63.1	68.6	78.8	75.5	69.4	69.7	63.9
036 (3.0)	NM	80	65.6	70.6	73.5	74.9	74.1	68.8	61.5
	UQ	81	65.5	68.7	73.1	77.2	73.9	67.5	63
042 (3.5)	NM	80	65.1	68.9	73.7	75.1	71.8	67	64.8
	UQ	83	67.5	70.5	78	78.8	75.9	70.1	66.6
048 (4.0)	NM	83	67.7	73.8	77.9	79.2	74.9	70.1	65
	UQ	81	66	71.9	75.3	76.6	73.8	70.3	63.3
060 (5.0)	NM	83	64.6	70.5	77	78.4	74.8	71	64.9
	UQ	82	65.6	71.8	75.8	76.6	74.3	73	64.2

1. Rated in accordance with ARI 270 standard.

## Electrical Data

### NM024-060 Cooling Only With/Without Electric Heat

Size (Tons)	Volt	Compressors (each)			OD Fan Motors (each)	Supply Blower Motor	Electric Heat Option				MCA <sup>1</sup> (Amps)	MOCP <sup>2</sup> (Amps)	Factory Fuse <sup>3</sup> / Size (Amps)
		RLA	LRA	MCC	FLA	FLA	Model	kW	Stages	Amps			
024 (2.0)	208/230-1-60	8.3	43.0	13.0	1.2	3.3	None	–	–	–	14.9	20	20
							2PH08520506	3.6/4.8	1	17.2/19.9	25.7/29.0	30/30	30/30
							2PH08520706	4.9/6.5	1	23.5/27.1	33.5/38.0	35/40	35/40
							2PH08521006	7.2/9.6	1	34.5/39.8	47.2/53.9	50/60	50/60
							2PH08521506	10.8/14.3	1	51.7/59.7	68.8/78.8	70/80	70/80
030 (2.5)	208/230-1-60	10.6	54.0	16.6	1.4	3.3	None	–	–	–	18.0	25	25
							2PH08520506	3.6/4.8	1	17.2/19.9	25.7/29.0	30/30	30/30
							2PH08520706	4.9/6.5	1	23.5/27.1	33.5/38.0	35/40	35/40
							2PH08521006	7.2/9.6	1	34.5/39.8	47.2/53.9	50/60	50/60
							2PH08521506	10.8/14.3	1	51.7/59.7	68.8/78.8	70/80	70/80
036 (3.0)	208/230-1-60	14.7	74.0	23.0	1.4	3.3	None	–	–	–	23.1	30	30
							2PH08520506	3.6/4.8	1	17.2/19.9	25.7/29.0	35/35	35/35
							2PH08520706	4.9/6.5	1	23.5/27.1	33.5/38.0	35/40	35/40
							2PH08521006	7.2/9.6	1	34.5/39.8	47.2/53.9	50/60	50/60
							2PH08521506	10.8/14.3	1	51.7/59.7	68.8/78.8	70/80	70/80
	208/230-3-60	9.1	68.0	14.2	1.4	3.3	None	–	–	–	16.1	25	25
							2PH08521506	10.8/14.3	1	51.7/59.7	68.8/78.8	70/80	70/80
042 (3.5)	208/230-1-60	16.0	84.0	25.0	1.7	4.1	None	–	–	–	25.8	35	35
							2PH08520506	3.6/4.8	1	17.2/19.9	26.7/30.0	35/40	35/40
							2PH08520706	4.9/6.5	1	23.5/27.1	34.5/39.0	40/40	40/40
							2PH08521006	7.2/9.6	1	34.5/39.8	48.2/54.9	50/60	50/60
							2PH08521506	10.8/14.3	1	51.7/59.7	69.8/79.8	70/80	70/80
048 (4.0)	208/230-1-60	18.6	102.0	29.0	1.7	7.6	None	–	–	–	32.6	45	45
							2PH08520506	3.6/4.8	1	17.2/19.9	32.6/34.4	45/45	45/45
							2PH08520706	4.9/6.5	1	23.5/27.1	38.8/43.4	50/50	50/50
							2PH08521006	7.2/9.6	1	34.5/39.8	52.6/59.3	60/60	60/60
							2PH08521506	10.8/14.3	1	51.7/59.7	74.2/84.1	80/90	80/90
	208/230-3-60	12.2	88.0	19.0	1.7	7.6	None	–	–	–	24.6	35	35
							460-3-60	5.8	44.0	9.0	0.9	3.8	None
060 (5.0)	208/230-1-60	26.2	150.0	41.0	1.7	7.6	None	–	–	–	42.1	60	60
							2PH08520506	3.6/4.8	1	17.2/19.9	42.1/42.1	60/60	60/60
							2PH08520706	4.9/6.5	1	23.5/27.1	42.1/43.4	60/60	60/60
							2PH08521006	7.2/9.6	1	34.5/39.8	52.6/59.3	60/60	60/60
							2PH08521506	10.8/14.3	1	51.7/59.7	74.2/84.1	80/90	80/90

1. Minimum Circuit Ampacity.

2. Maximum Over Current Protection per standard UL 1995.

3. Fuse or HACR circuit breaker size installed at factory or field installed.

## UQ024-060 Cooling Only With/Without Electric Heat

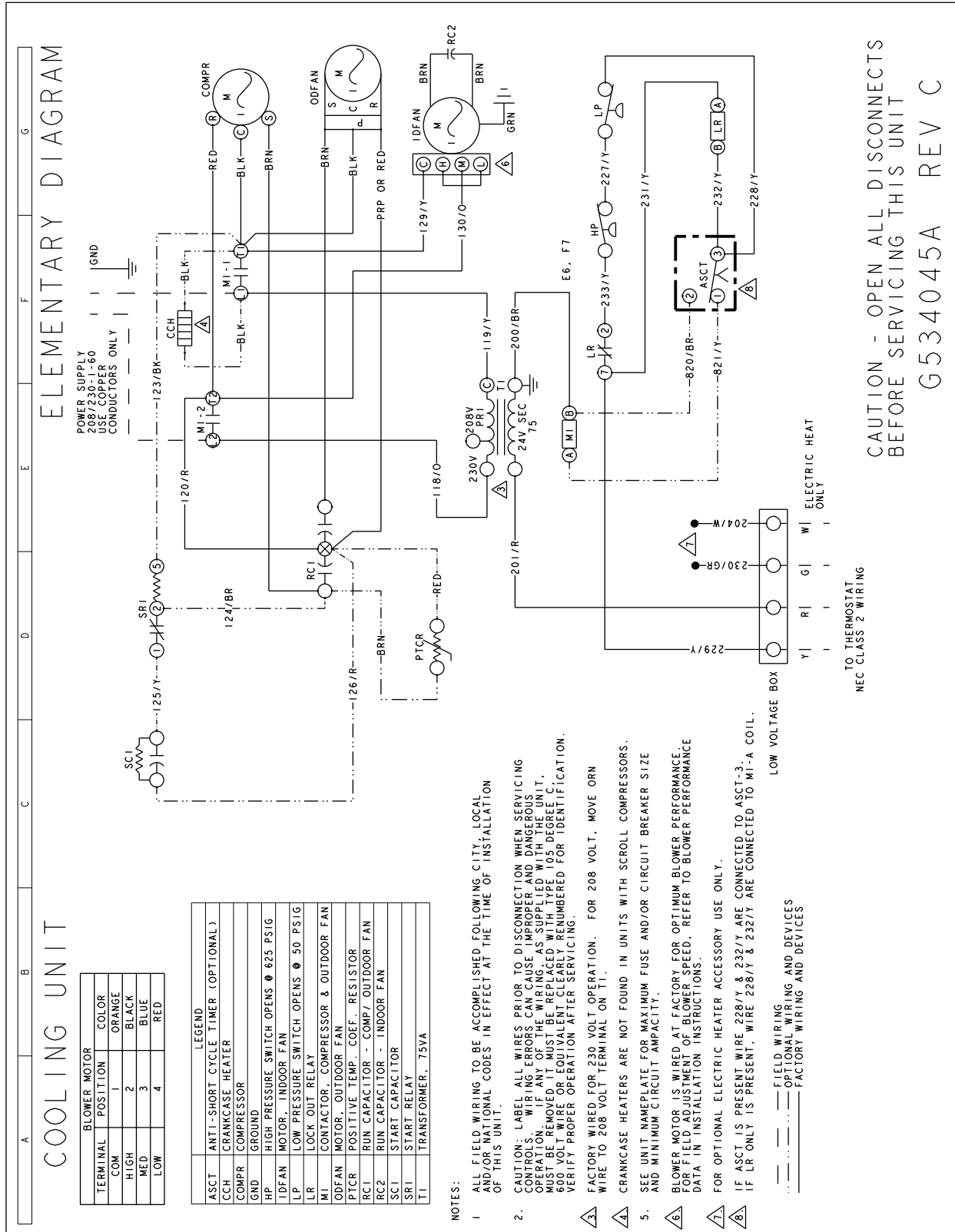
Size (Tons)	Volt	Compressors (each)			OD Fan Motors (each)	Supply Blower Motor	Electric Heat Option				MCA <sup>1</sup> (Amps)	MOCP <sup>2</sup> (Amps)	Factory Fuse <sup>3</sup> / Size (Amps)
		RLA	LRA	MCC	FLA	FLA	Model	kW	Stages	Amps			
024 (2.0)	208/230-1-60	13.4	58.3	21.0	1.2	4.1	None	-	-	-	22.1	30	30
							2PH08520506	3.6/4.8	1	17.2/19.9	43.6/46.9	50/50	50/50
							2PH08520706	4.9/6.5	1	23.5/27.1	51.4/55.9	60/60	60/60
							2PH08521006	7.2/9.6	1	34.5/39.8	65.2/71.8	70/80	70/80
							2PH08521506	10.8/14.3	1	51.7/59.7	86.7/96.7	90/100	90/100
030 (2.5)	208/230-1-60	14.1	73.0	22.0	1.2	4.1	None	-	-	-	22.9	30	30
							2PH08520506	3.6/4.8	1	17.2/19.9	44.5/47.8	50/50	50/50
							2PH08520706	4.9/6.5	1	23.5/27.1	52.3/56.8	60/60	60/60
							2PH08521006	7.2/9.6	1	34.5/39.8	66/72.7	70/80	70/80
							2PH08521506	10.8/14.3	1	51.7/59.7	87.6/97.6	90/100	90/100
036 (3.0)	208/230-1-60	16.6	79.0	26.0	1.4	4.1	None	-	-	-	26.3	35	35
							2PH08520506	3.6/4.8	1	17.2/19.9	47.8/51.1	60/60	60/60
							2PH08520706	4.9/6.5	1	23.5/27.1	55.6/60.1	60/70	60/70
							2PH08521006	7.2/9.6	1	34.5/39.8	69.4/76	70/80	70/80
							2PH08521506	10.8/14.3	1	51.7/59.7	90.9/100.9	100/110	100/110
	208/230-3-60	10.4	73.0	16.3	1.4	4.1	None	-	-	-	18.5	25	25
042 (3.5)	208/230-1-60	21.8	105.0	34.0	2.2	7.6	None	-	-	-	37.1	50	50
							2PH08520506	3.6/4.8	1	17.2/19.9	58.6/61.9	70/70	70/70
							2PH08520706	4.9/6.5	1	23.5/27.1	66.4/70.9	80/80	80/80
							2PH08521006	7.2/9.6	1	34.5/39.8	80.2/86.8	90/90	90/90
							2PH08521506	10.8/14.3	1	51.7/59.7	101.7/111.7	110/125	110/125
	208/230-3-60	16.0	115.0	25.0	2.2	7.6	None	-	-	-	29.8	40	40
048 (4.0)	208/230-1-60	20.5	115.0	32.0	2.2	7.6	None	-	-	-	35.4	45	45
							2PH08520506	3.6/4.8	1	17.2/19.9	57/60.3	70/70	70/70
							2PH08520706	4.9/6.5	1	23.5/27.1	64.8/69.3	70/80	70/80
							2PH08521006	7.2/9.6	1	34.5/39.8	78.5/85.2	90/90	90/90
							2PH08521506	10.8/14.3	1	51.7/59.7	100.1/110.1	110/125	110/125
	208/230-3-60	16.0	115.0	25.0	2.2	7.6	None	-	-	-	41.1	60	60
060 (5.0)	208/230-1-60	25.0	134.0	39.0	2.2	7.6	None	-	-	-	41.1	60	60
							2PH08520506	3.6/4.8	1	17.2/19.9	62.6/65.9	80/80	80/80
							2PH08520706	4.9/6.5	1	23.5/27.1	70.4/74.9	80/90	80/90
							2PH08521006	7.2/9.6	1	34.5/39.8	84.2/90.8	100/100	100/100
							2PH08521506	10.8/14.3	1	51.7/59.7	105.7/115.7	110/125	110/125
	208/230-3-60	15.9	110.0	24.8	2.2	7.6	None	-	-	-	29.7	40	40
460-3-60	7.0	52.0	11.0	1.1	3.8	None	-	-	-	13.7	20	20	

1. Minimum Circuit Ampacity.
2. Maximum Over Current Protection per standard UL 1995.
3. Fuse or HACR circuit breaker size installed at factory or field installed.

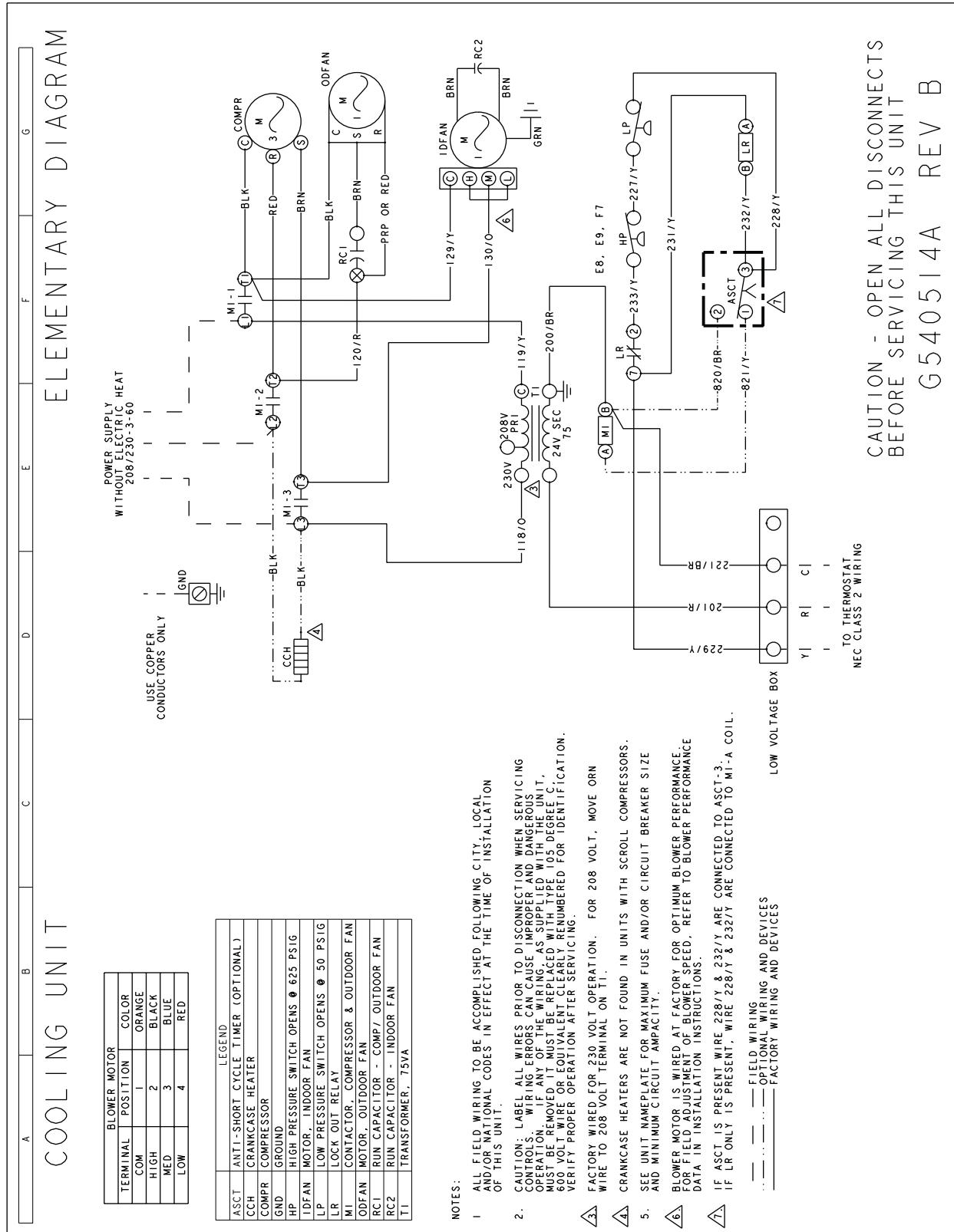


NM/UQ024-060 Typical Wiring Diagrams

NM024, 030 and 036 Typical Cooling Unit 208/230-1-60 volt Wiring Diagram



NM036 Typical Cooling Unit 208/230-3-60 volt Wiring Diagram

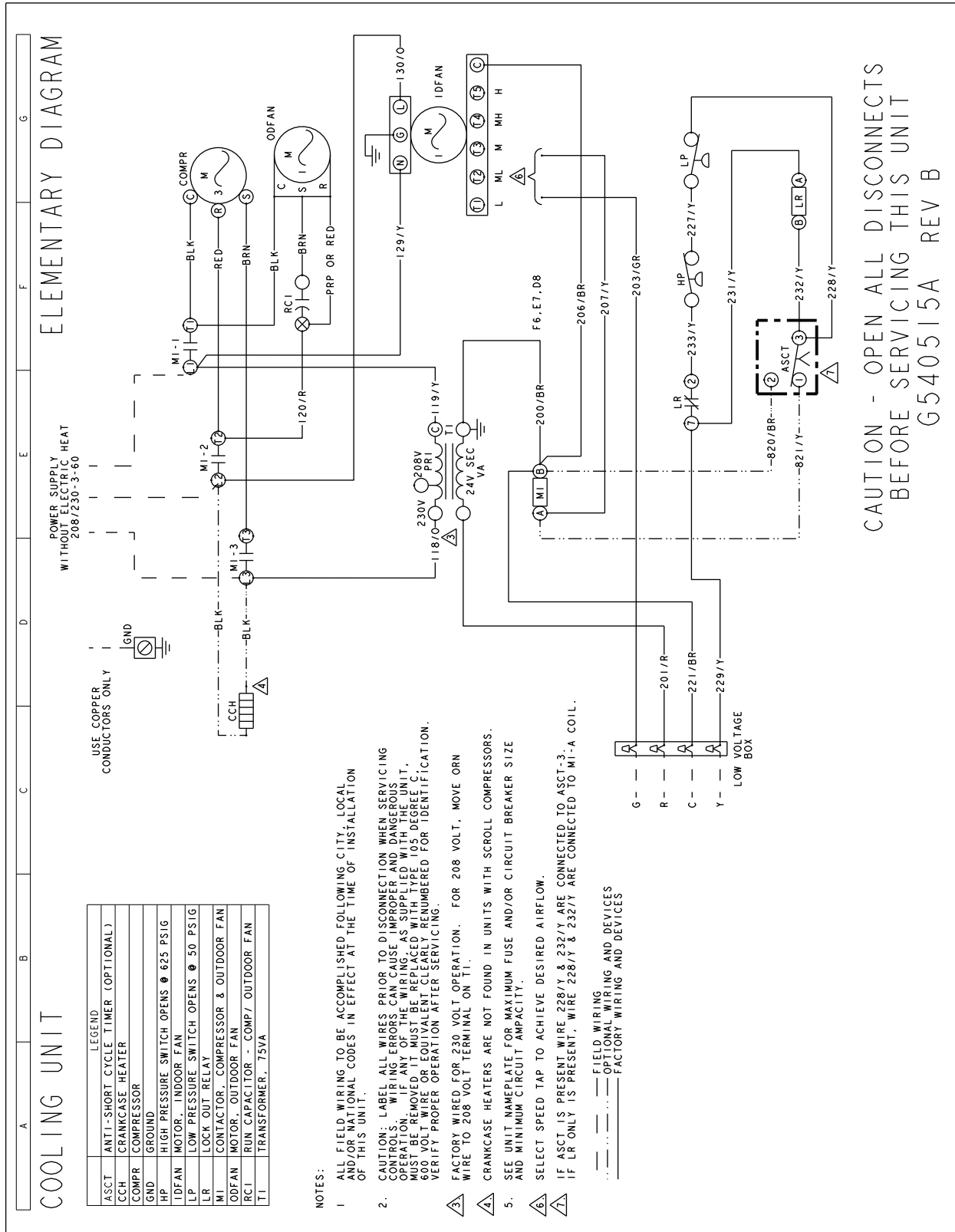


CAUTION - OPEN ALL DISCONNECTS BEFORE SERVICING THIS UNIT

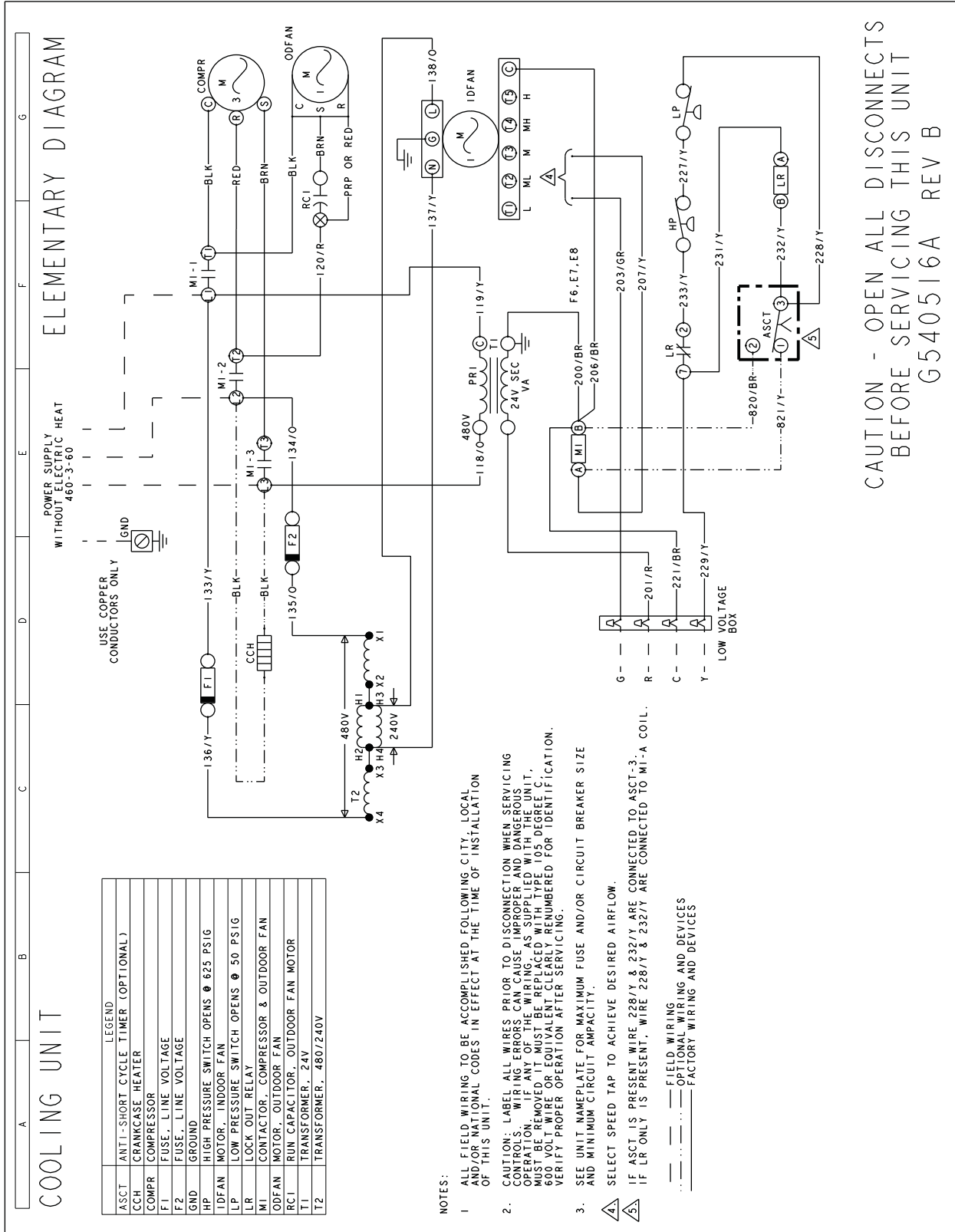
G540514A REV B



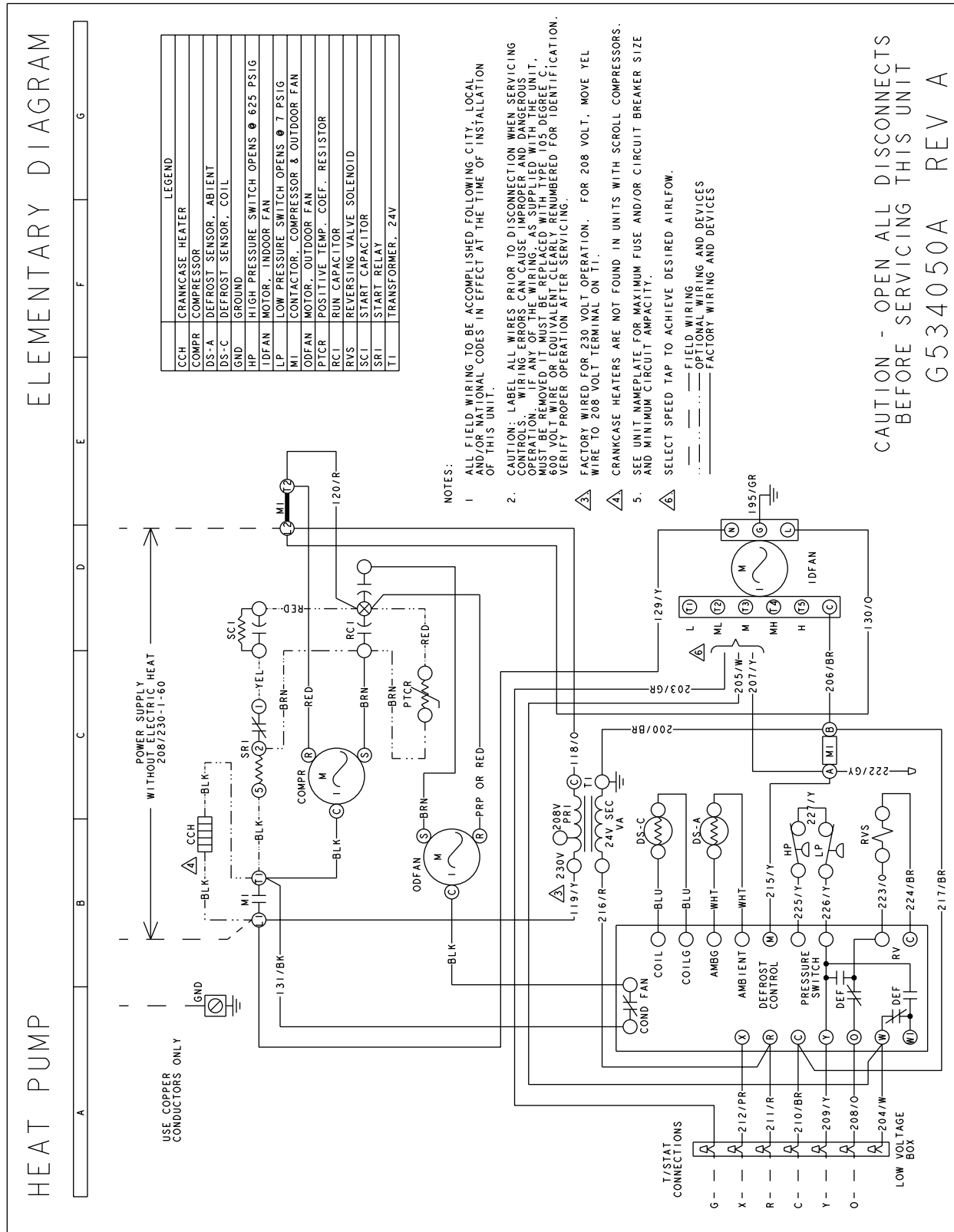
NM048 and 060 Typical Cooling Unit 208/230-3-60 volt Wiring Diagram



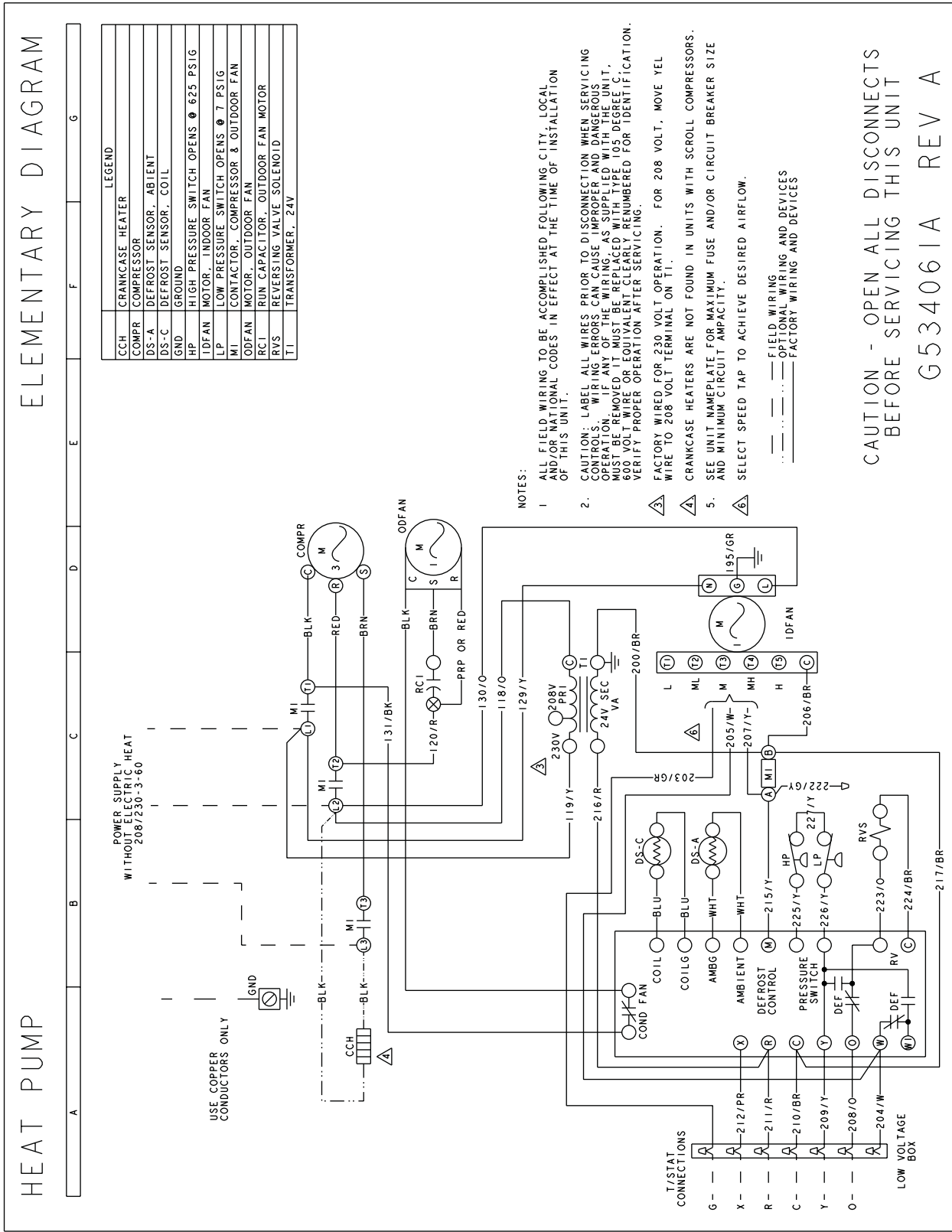
NM048 and 060 Typical Cooling Unit 460-3-60 volt Wiring Diagram



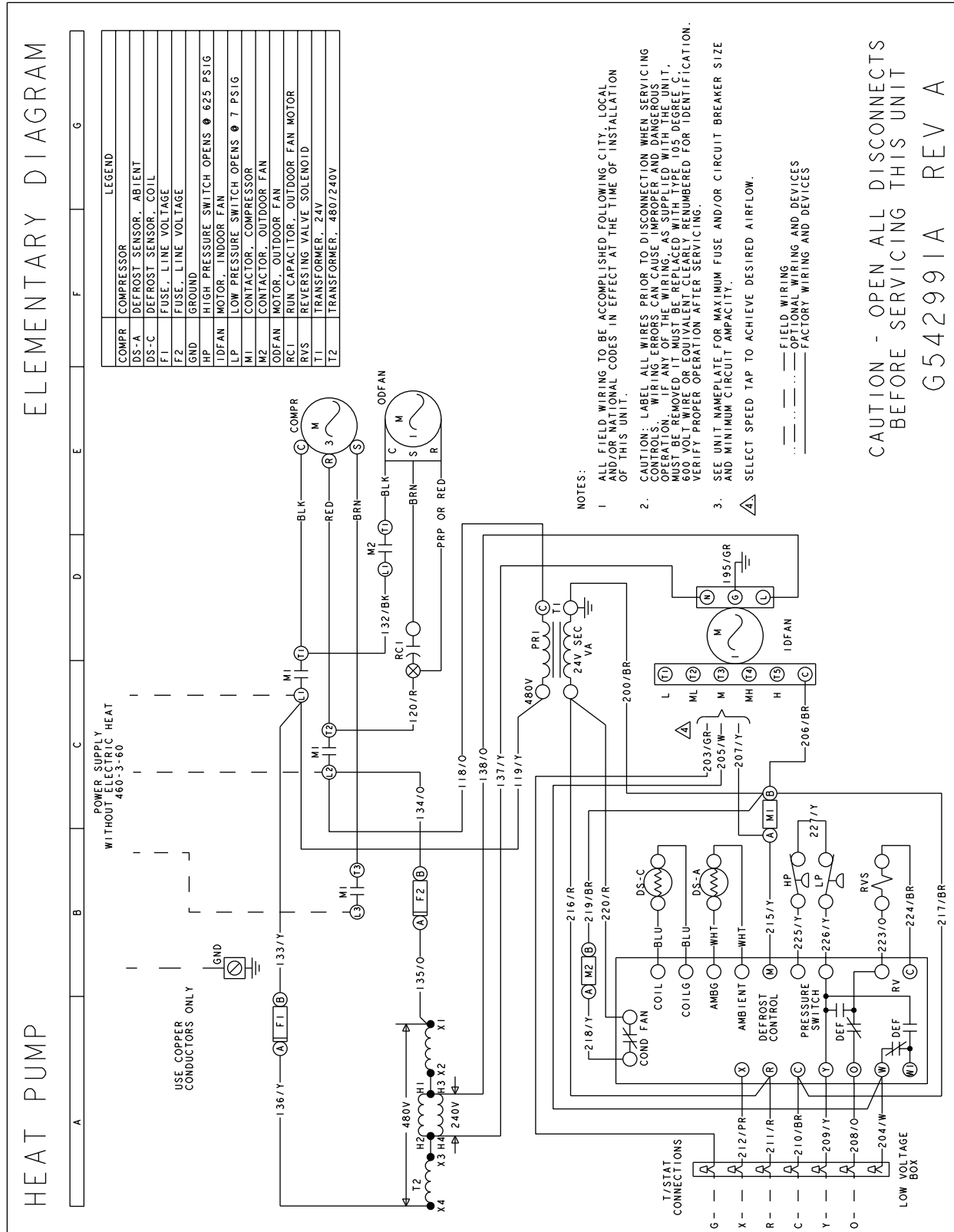
UQ024-060 Typical Heat Pump 208/230-1-60 volt Wiring Diagram



UQ036, 048 and 060 Typical Heat Pump 208/230-3-60 volt Wiring Diagram



UQ060 Typical Heat Pump 460-3-60 volt Wiring Diagram

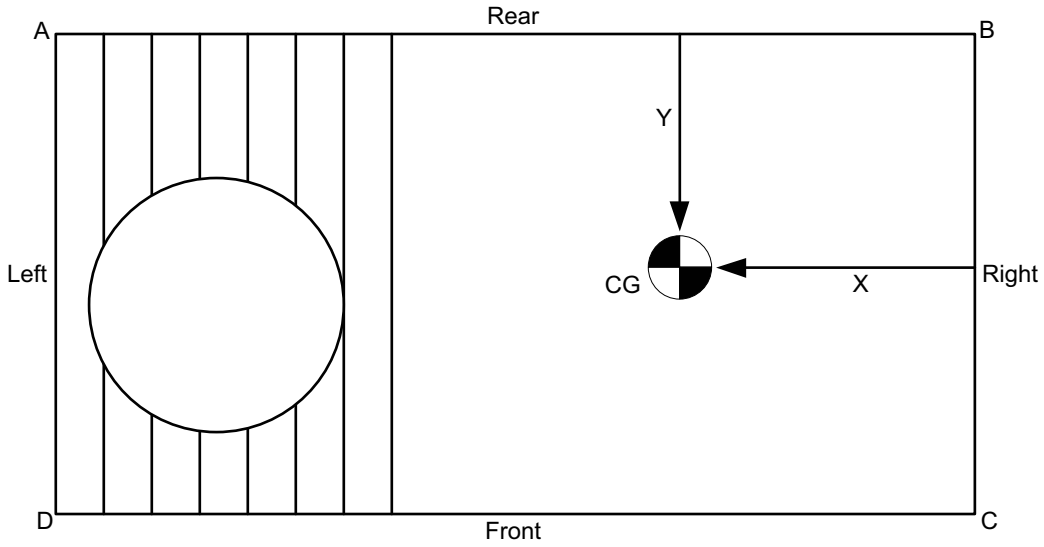




## Weights and Dimensions

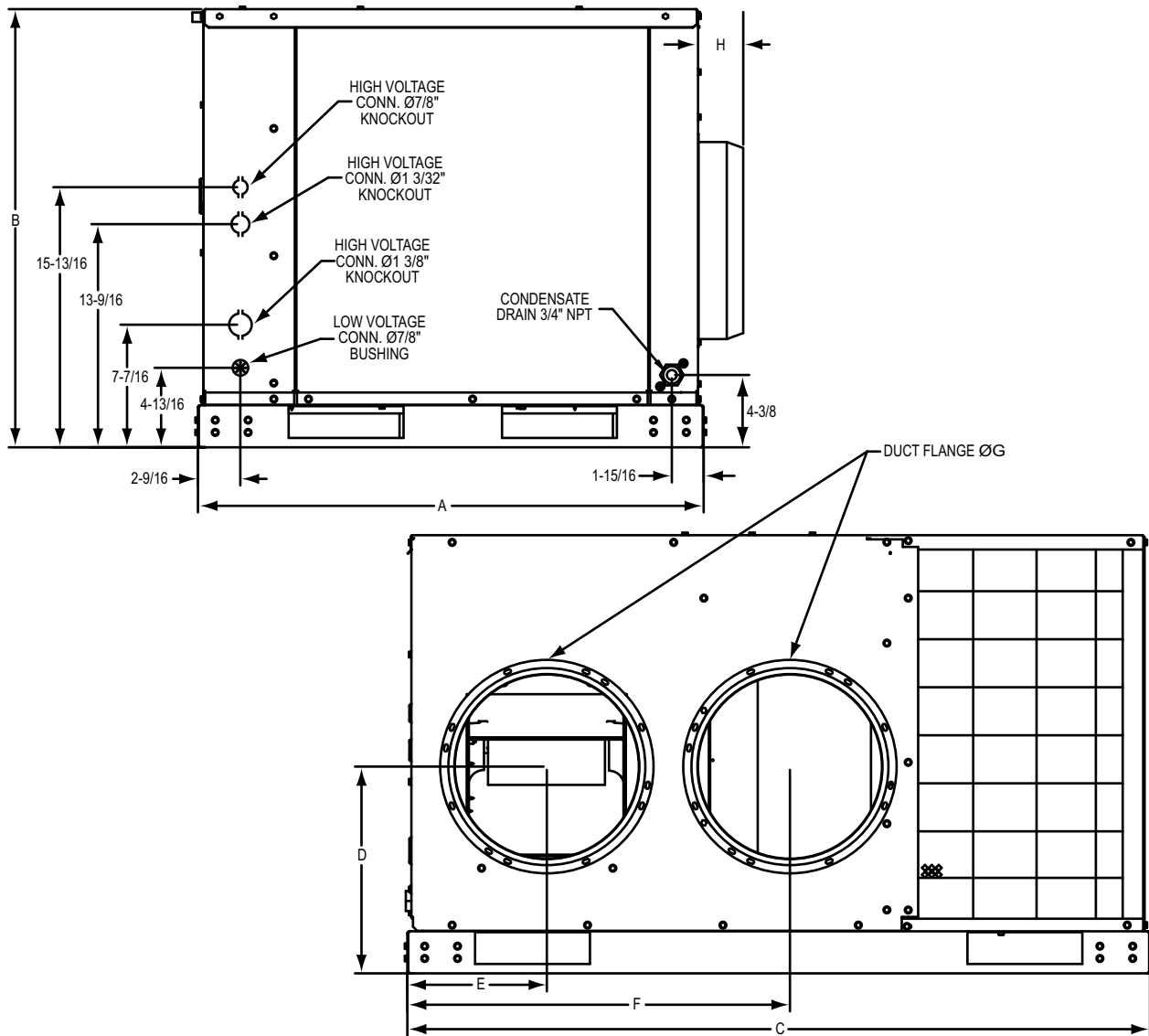
### NM and UQ Unit Weights

#### Unit 4 Point Load Weights



Size (Tons)	Model	Weight (lbs.)		Center of Gravity		4 Point Load Location (lbs.)			
		Shipping	Operating	X	Y	A	B	C	D
024 (2.0)	NM	279	276	23.5	16	68	71	71	68
	UQ	328	325	21.75	14	75	67	86	96
030 (2.5)	NM	282	279	23.5	16	68	71	71	68
	UQ	343	340	21.75	14	78	70	90	101
036 (3.0)	NM	318	315	22	15.5	80	73	78	85
	UQ	348	345	23.5	15	79	83	94	90
042 (3.5)	NM	318	315	22	15.5	80	73	78	85
	UQ	375	372	23.5	15	100	69	83	120
048 (4.0)	NM	360	357	29	16	86	87	93	91
	UQ	388	385	28.75	16.25	95	95	98	98
060 (5.0)	NM	353	350	29	16	84	86	91	89
	UQ	395	392	28.75	16.25	97	97	99	99

**Unit Dimensions**



**Unit Dimensions**

Size (Tons)	Model	Dimensions							
		"A"	"B"	"C"	"D"	"E"	"F"	"G"	"H"
024 (2.0)	NM	32 13/16	30 15/16	47 1/4	12 9/16	8 1/2	24 1/16	12	2 3/4
	UQ	32 13/16	30 15/16	47 1/4	12 9/16	8 1/2	24 1/16	12	2 3/4
030 (2.5)	NM	32 13/16	30 15/16	47 1/4	12 9/16	8 1/2	24 1/16	12	2 3/4
	UQ	32 13/16	30 15/16	47 1/4	12 9/16	8 1/2	24 1/16	12	2 3/4
036 (3.0)	NM	32 13/16	30 15/16	47 1/4	12 9/16	8 1/2	24 1/16	12	2 3/4
	UQ	32 13/16	30 15/16	47 1/4	12 9/16	8 1/2	24 1/16	12	2 3/4
042 (3.5)	NM	32 13/16	30 15/16	47 1/4	12 9/16	8 1/2	24 1/16	12	2 3/4
	UQ	32 13/16	34 15/16	57 9/16	11 9/16	10 5/16	28 7/8	14	2 3/4
048 (4.0)	NM	32 13/16	34 15/16	57 9/16	11 9/16	10 5/16	28 7/8	14	2 3/4
	UQ	32 13/16	34 15/16	57 9/16	11 9/16	10 5/16	28 7/8	14	2 3/4
060 (5.0)	NM	32 13/16	34 15/16	57 9/16	11 9/16	10 5/16	28 7/8	14	2 3/4
	UQ	32 13/16	34 15/16	57 9/16	11 9/16	10 5/16	28 7/8	14	2 3/4

**Unit Clearances**

<b>Direction</b>	<b>Distance (in.)</b>	<b>Direction</b>	<b>Distance (in.)</b>
Top <sup>1</sup>	60	Right	24
Front	36	Left	24
Rear <sup>2</sup>	18	Bottom	0

1. Units must be installed outdoors. Over hanging structure or shrubs should not obscure condenser air discharge outlet.
2. Unit may be positioned to draw air from underneath structure.

