

Electric Tankless Water Heater

MODEL	KW	VOLTS	BREAKER	REQUIRED WIRE	WATER CONNECTIONS
ECO 18	18	240	(2) 40 A	(2) 8 AWG	3/4" NPT



Tested and certified by the Water Quality Association against NSF/ANSI 372 for lead free compliance.

Temperature Rise

The ECO 18 is a mid-range EcoSmart tankless water heater capable of heating multiple fixtures simultaneously. In colder areas, with an inlet water temperature around 37°F, the ECO 18 can heat water for a water-saving shower head. Two showers can be run at the same time when incoming water temperature is above 67°F in warmer climates such as South Texas, South Florida, New Mexico, Arizona and Southern California. This model is equipped with patented, self-modulating technology so that it will only consume the energy necessary for the current demand. The ECO 18 also comes standard with digital temperature control in increments of 1°F. Below is a chart showing the flow rate capacity of each model, measured in gallons per minute, depending on inlet water temperature and a set output temperature of 105° F.

Example Applications

Standard Hand Sink	0.5 GPM
Water-Saver Showerhead	1.5 GPM
Standard Showerhead	2.0 GPM
Kitchen Sink	2.0 GPM
Bath Tub	≥ 4.0 GPM

Average Gallons Per Minute (GPM) based on 2010 Plumbing Standards

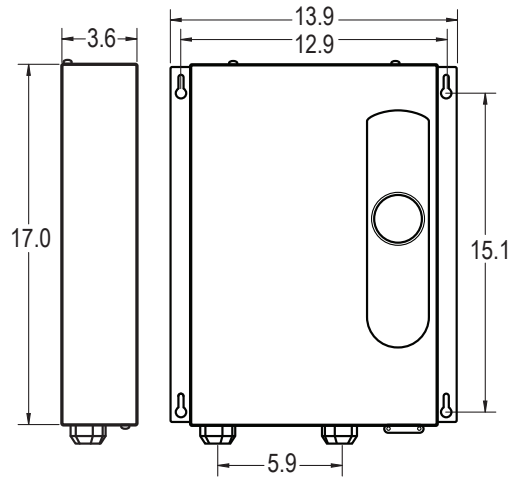
Flow Rate Capacity Chart (GPM)

MODEL	37°F	42°F	47°F	52°F	57°F	62°F	67°F	72°F	77°F
ECO 18	1.8	2.0	2.1	2.3	2.6	2.9	3.2	3.7	4.4

Flow rate shown in GPM based on outlet temperature of 105°F. Inlet temperature varies by region and seasonal changes.

Product Attributes

- On-demand, consistent and endless hot water
- Compact, resistant and stylish with digital temperature control in increments of 1°F ranging from 80°F to 140°F
- Dimensions: 17" x 14" x 3.75"
- 99.8% energy efficient
- Simple Installation: 3/4" NPT water connectors for easy flex hose installation
- Copper heating elements with brass top increase durability and are threaded for easy replacement
- Professional installation required for warranty
- Lifetime Warranty when installed by licensed professional for residential use



Product dimensions shown in inches.

Specifications



ECO 18

Uses two (2) 9kW at 240V elements.

Operating Pressure

Minimum	Maximum
25 PSI	150 PSI

Note: Flow Activated at 0.25 GPM

SPECIFICATION	ECO 18
kW	18
Voltage	240
Phase	Single
Element	(2) 9kW @ 240V
Amperage Draw	75 A
Required Breaker	(2) 40 A
Required Wire	8 AWG
Weight	11.70 lb
Heat Exchanger	Copper
Protection	Thermal Auto
Energy Efficiency	99.8%
Certification	ETL Listed to UL-499 and CAN/CSA-C22.2 No. 64
Warranty	Limited Lifetime

EcoSmart Submittal

Engineer/Architect: _____

Job Name/Customer: _____

Location: _____

Contractor: _____

Representative: _____

HEATER SPECIFICATIONS	Quantity	kW	Voltage	AMPS
Model: ECO _____	_____	_____	_____	_____



400 Captain Neville Drive
 Waterbury, CT 06705
 Toll Free: (877) 474-6473
 support@ecosmartus.com
EcoSmartUS.com